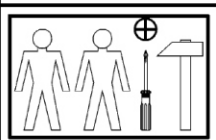
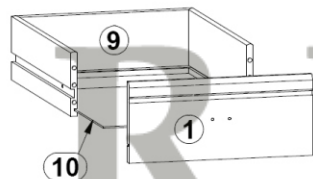
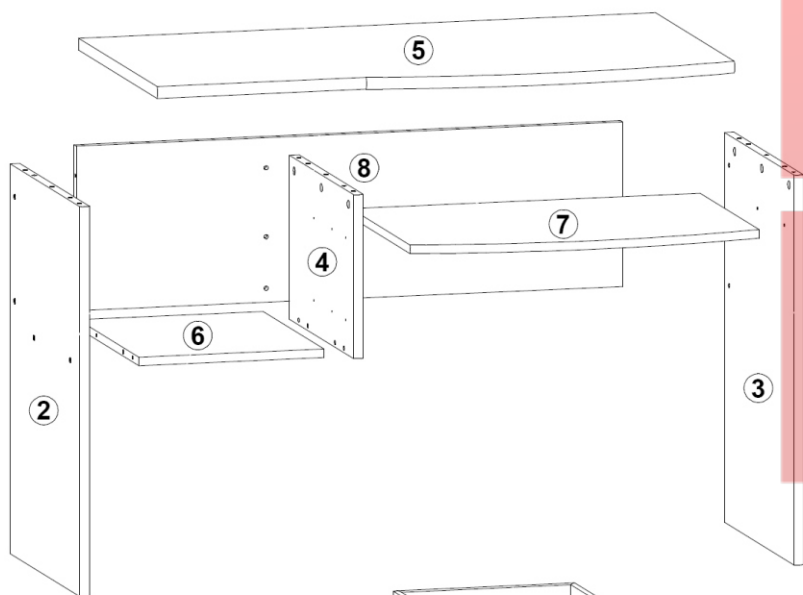
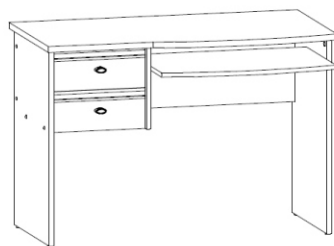


POP

S05-kbiu/8/11

A	B	C	D	
1	SK1-027	348	150	1/1
2	SK1-151	725	495	1/1
3	SK1-152	725	495	1/1
4	SK1-153/A	305	455	1/1
5	SK1-212	1094	600	1/1
6	SK1-337/A	351	430	1/1
7	SK1-338	662	461	1/1
8	SK1-339	1036	306	1/1
9	SK1-506	1185	120	1/1
10	SK1-957	420	331	1/1



2x c12	10x e1 φ7x50 mm	8x e2 φ6,3x13 mm	25x f1 φ8x30 mm	4x j2 34x0 mm	4x k1	12x p1 φ3,5x13 mm	4x p8 φ4x25 mm	9x r1 φ15x12mm =16
9x r16	10x s1	5x s2 φ16	1x w2L	1x w2P	4x w4 310 mm	1x y1 GLUE	1x z1	

