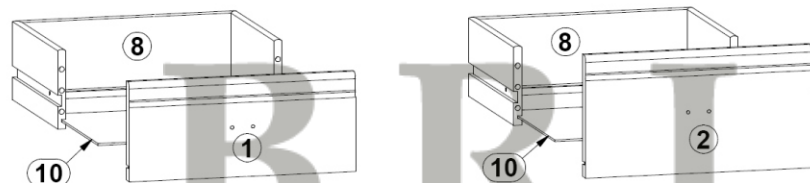
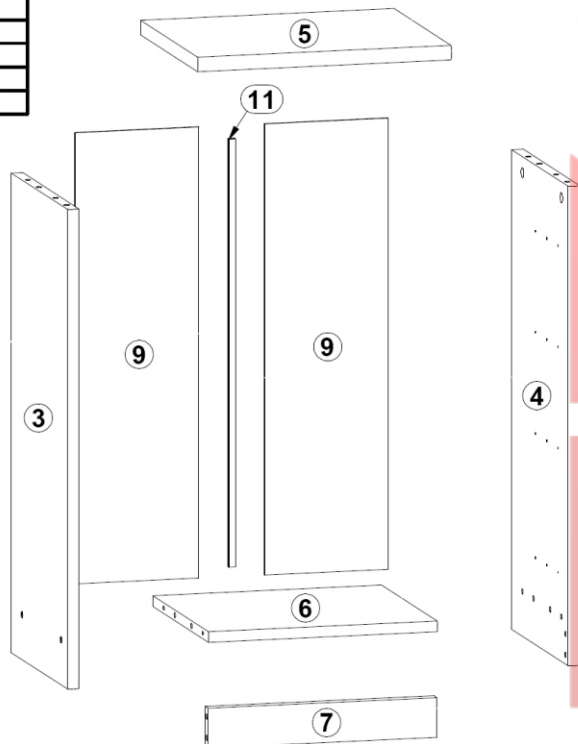
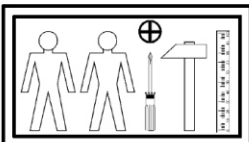
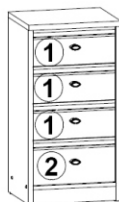


# POP

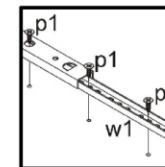
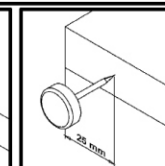
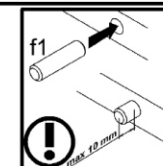
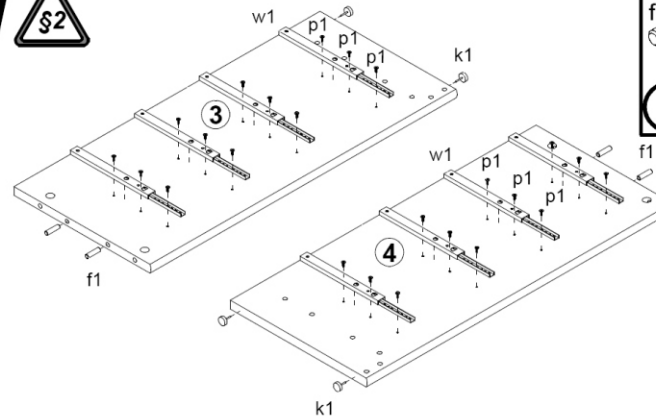
S05-k4s/7/4

A	B	C	D	
1	SK1-013	348	150	2/2
2	SK1-020	348	185	2/2
3	SK1-191	725	325	1/2
4	SK1-192	725	325	1/2
5	SK1-201	390	330	1/2
6	SK1-332	352	321	1/2
7	SK1-401	352	60	1/2
8	SK1-511	865	120	1/2
9	SK1-907	682	190	1/2
10	SK1-908	331	260	1/2
11	lh-647	647	10	1/2

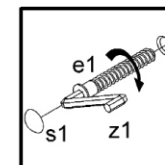
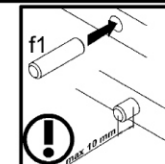
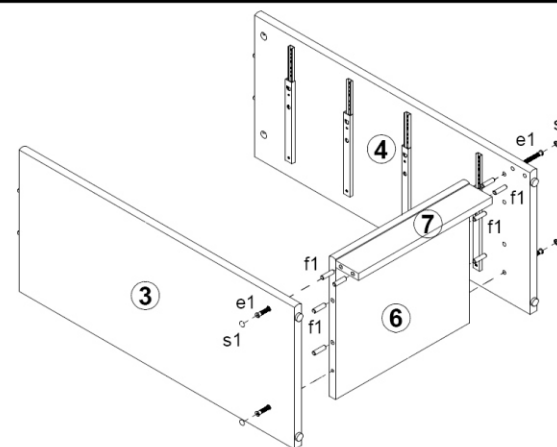


4x  c12	4x  e1 φ7x30 mm	36x  f1 φ8x30 mm	8x  j2 M4x7 mm	4x  k1	20x  l1	24x  p1 φ3.5x13 mm	8x  p8 φ4x25 mm	4x  r1 φ15x12 mm
4x  r16	4x  s1	2x  s2 φ16	8x  w1 185 mm	1x  y1	1x  z1	1x  n26/1	1x  p38 φ3.5x16 mm	

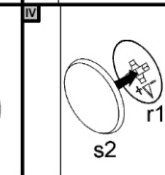
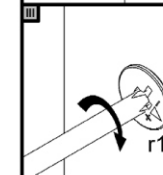
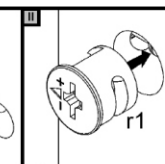
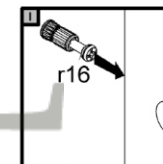
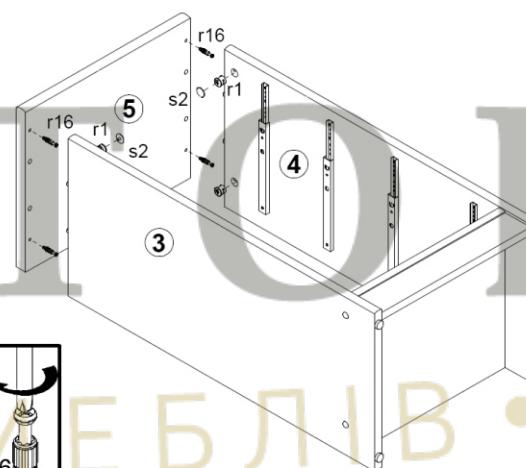
1 S2



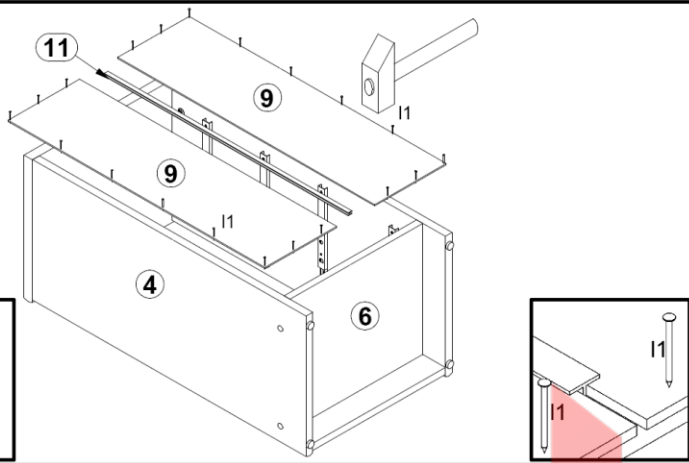
2 S6



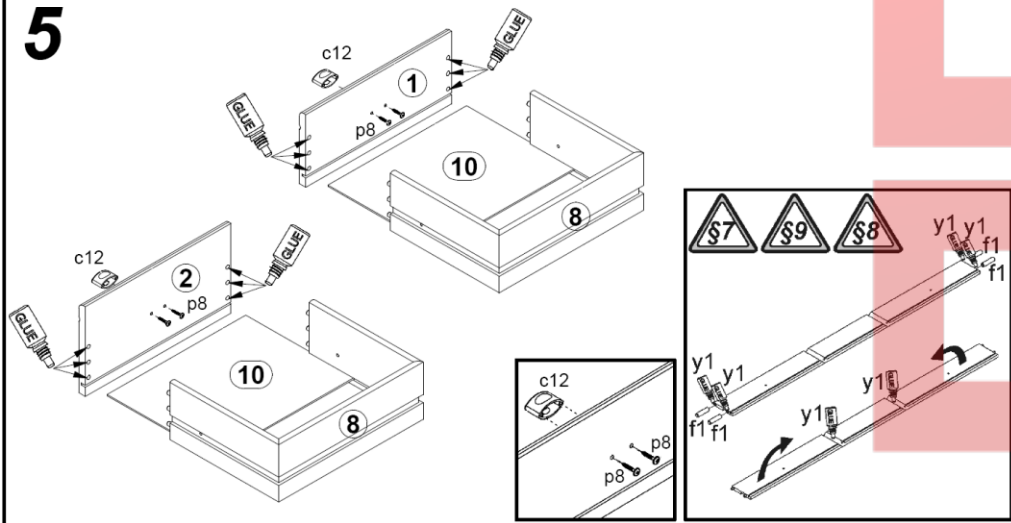
3



4



5



6

