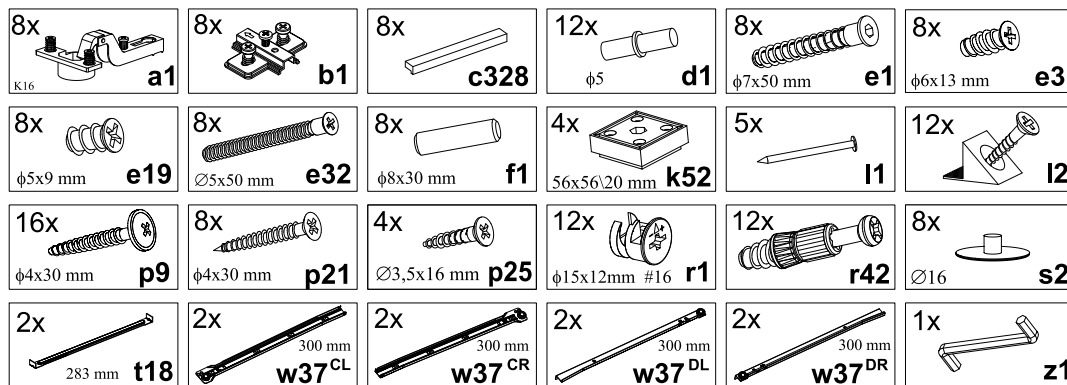
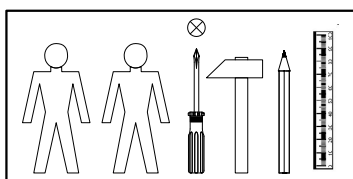
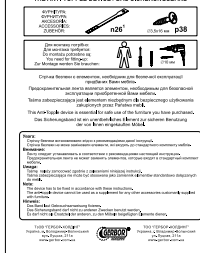


A	B	C	D
1	S171-556	300x120	2/2
2	S171-557	300x120	2/2
3	S171-001	719x376	1/2
4	S171-002	1069x376	1/2
5	S171-003	754x174	2/2
6	S171-101-01	2148x346	1/2
7	S171-102-01	2148x346	1/2
8	S171-202	791x350	2/2
9	S171-203	791x350	2/2
10	S171-302-01	758x307	2/2
11	S171-304-01	758x307	2/2
12	S171-505	701x120	1/2
13	S171-901	2162x385	1/2
14	S171-902	716x299	1/2
15	LH-2147	2147x14	1/2

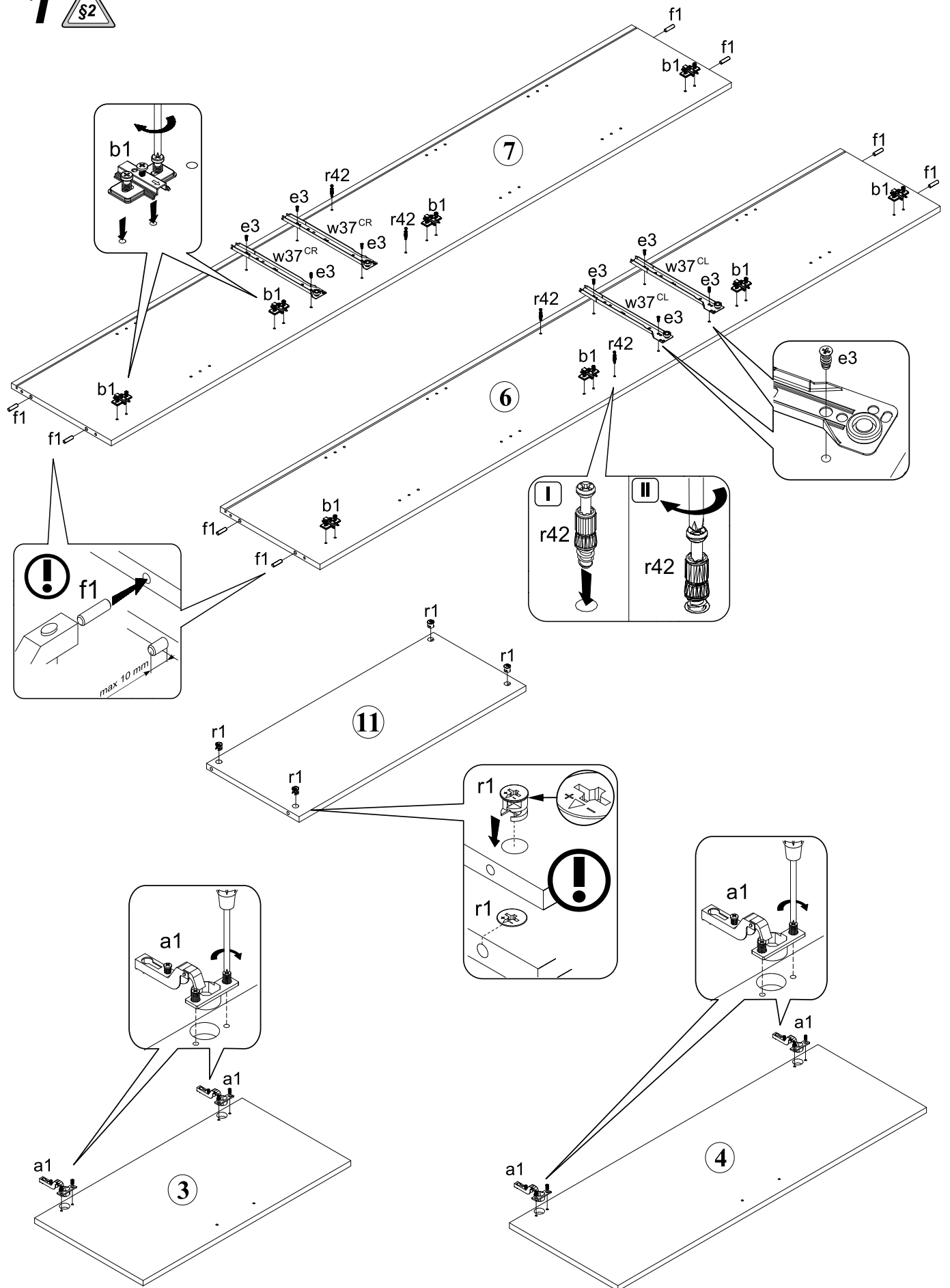


СТРИЧКА БЕЗПЕКИ

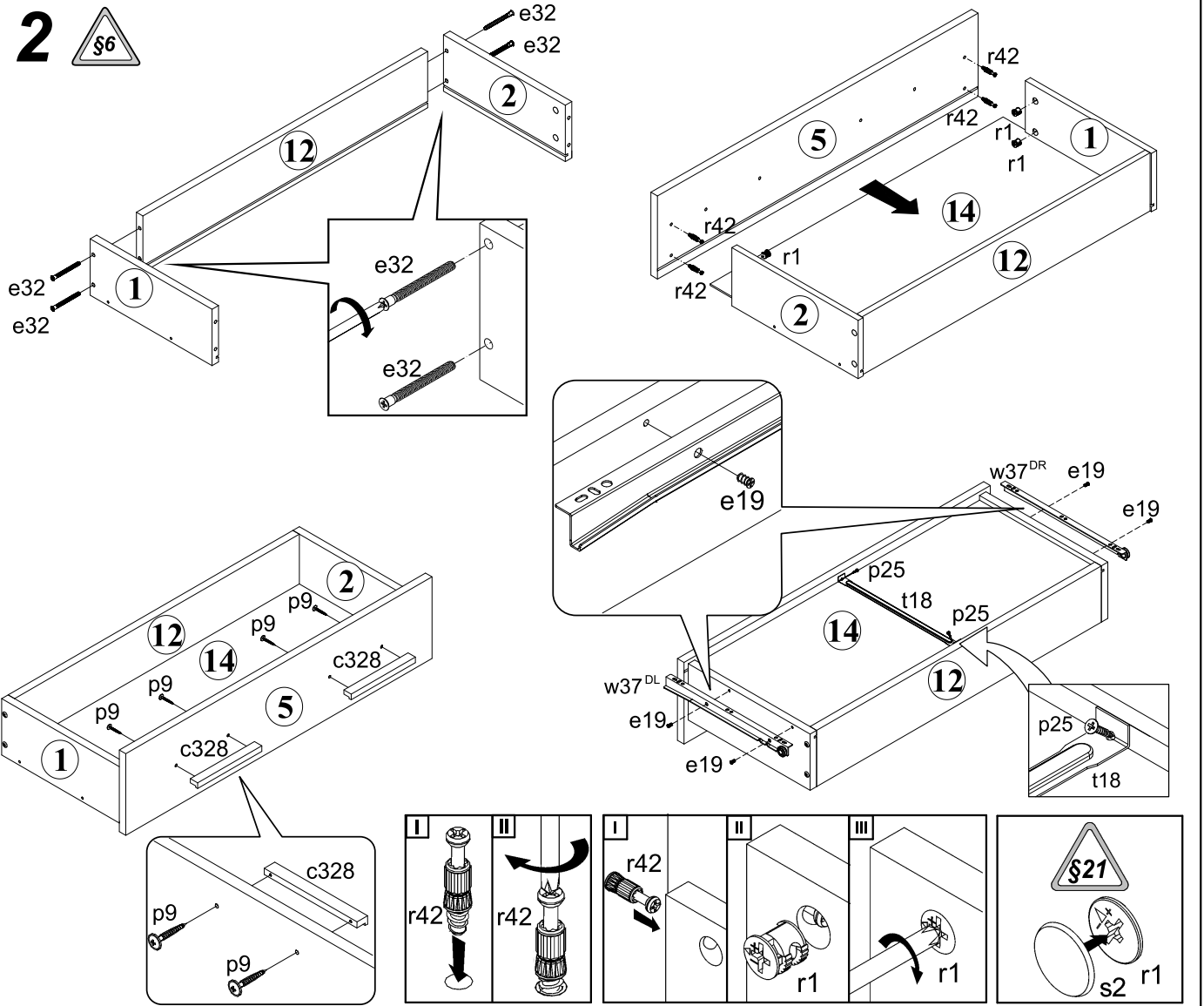
ПРЕДОУВАЖЛИВА ПЕНТА ТАМА ЗАБЕРЕСЕЖАЉА
THE ANTI-TIPPER DEVICE IS A SAFETY MEASURE



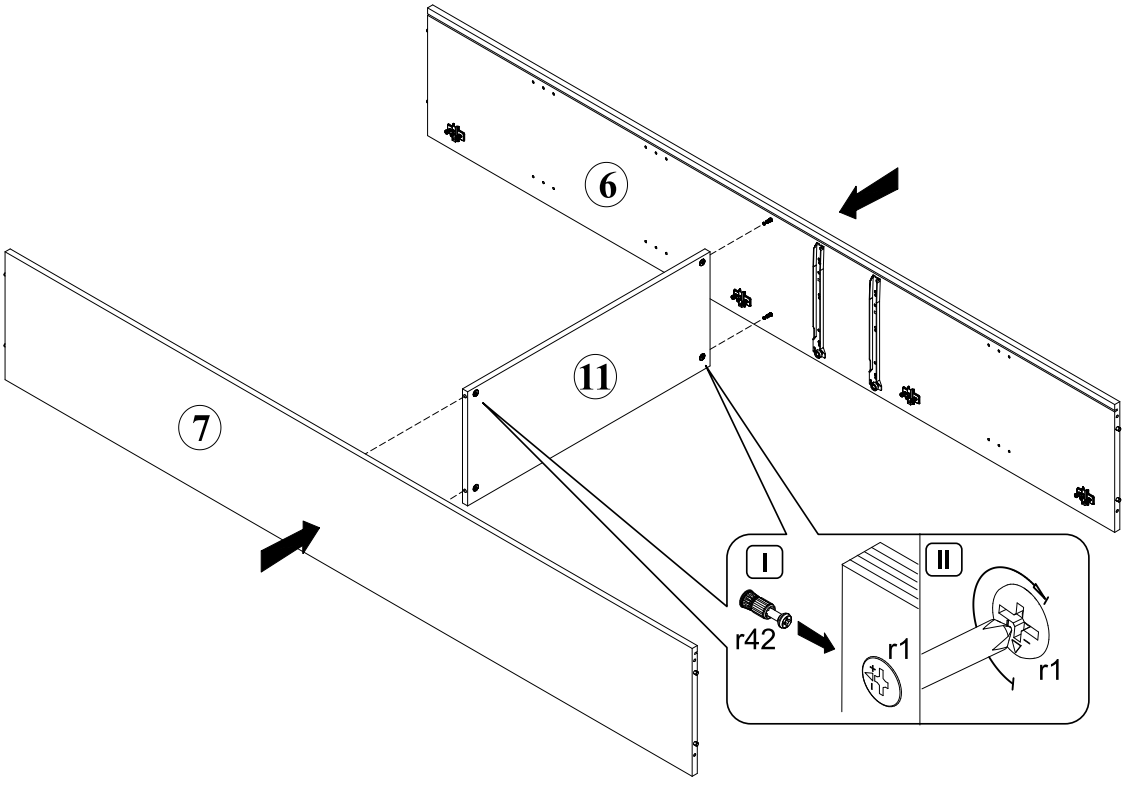
1 

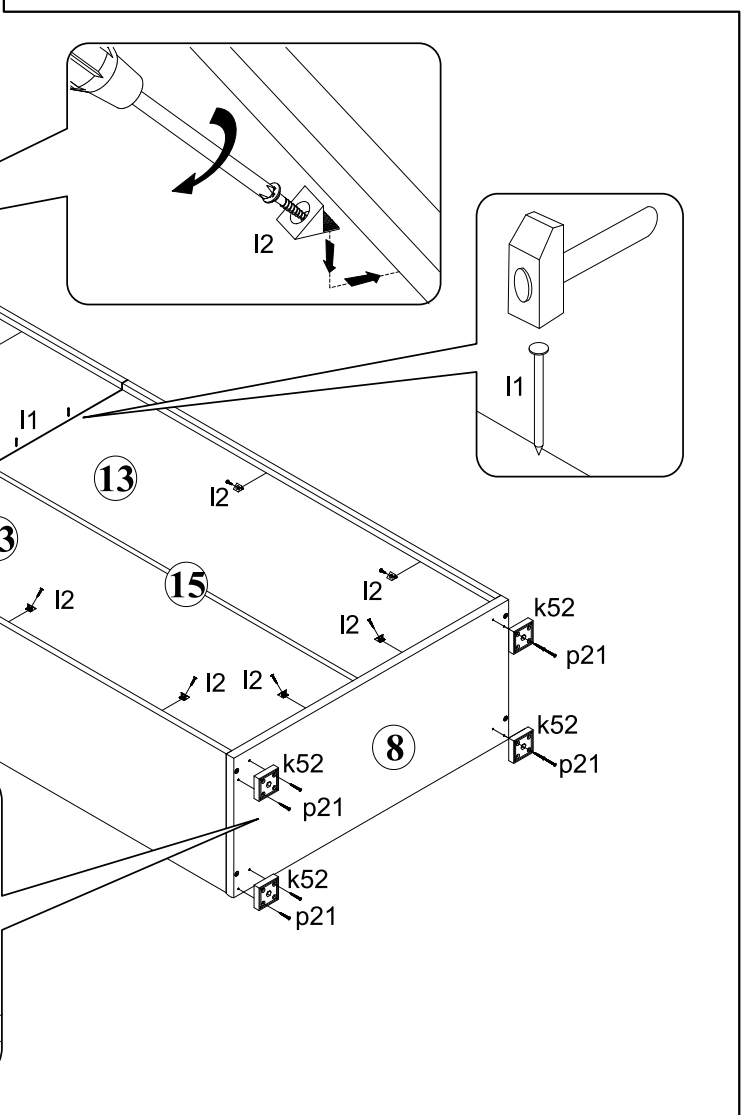
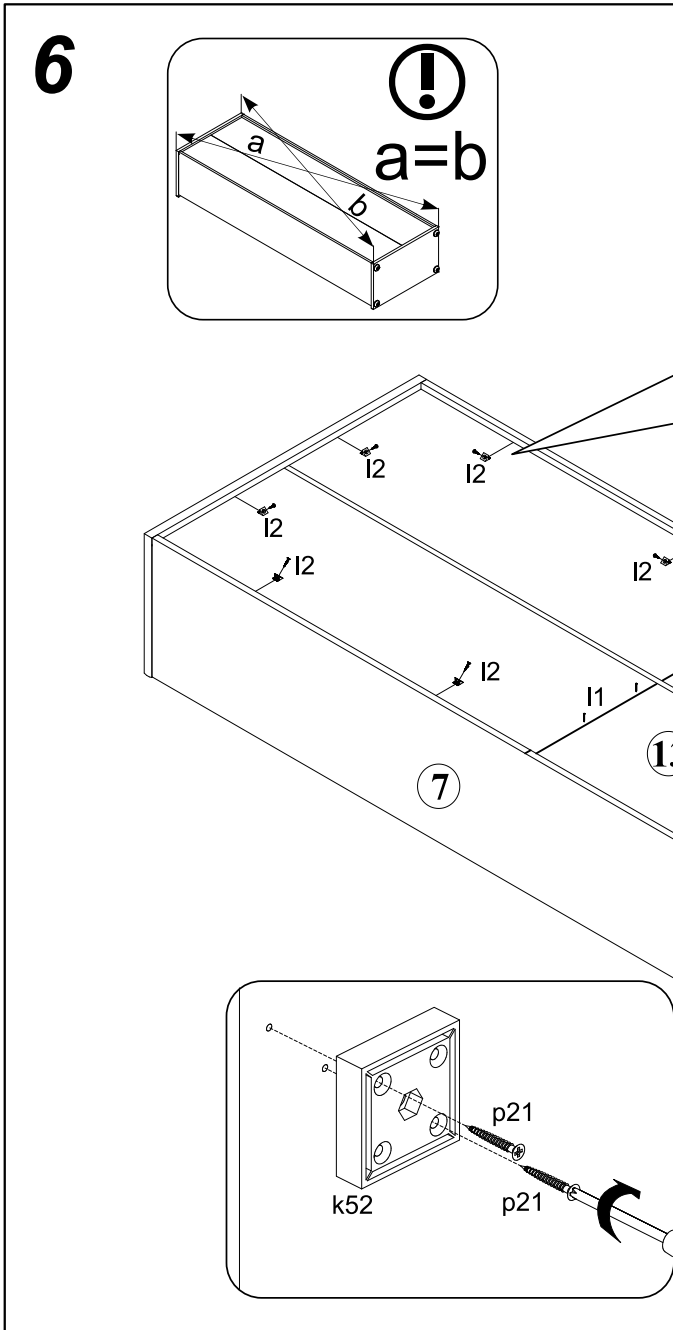
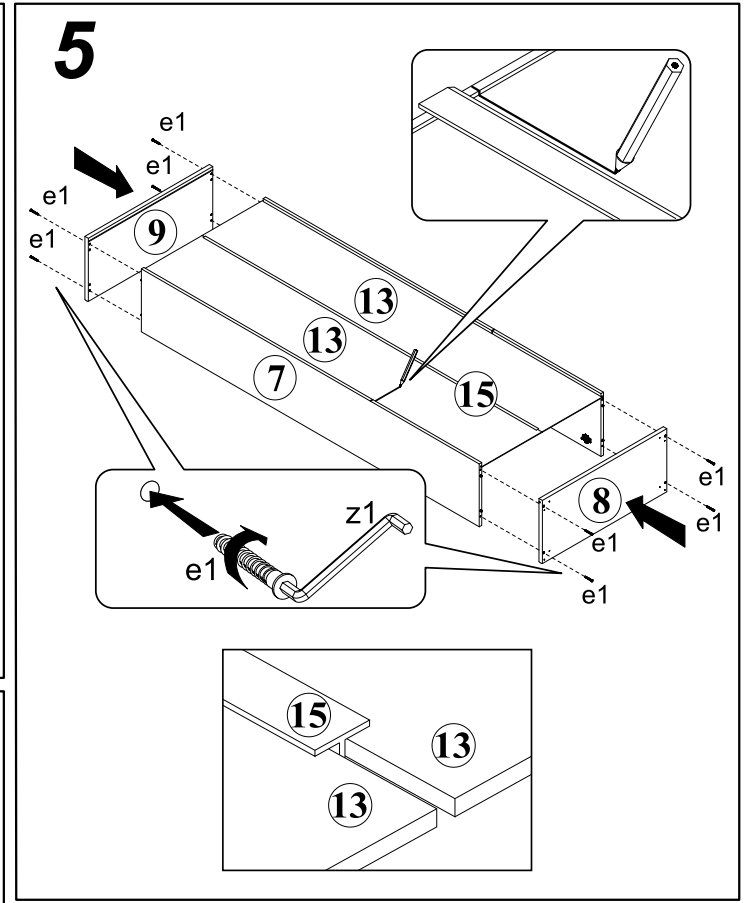
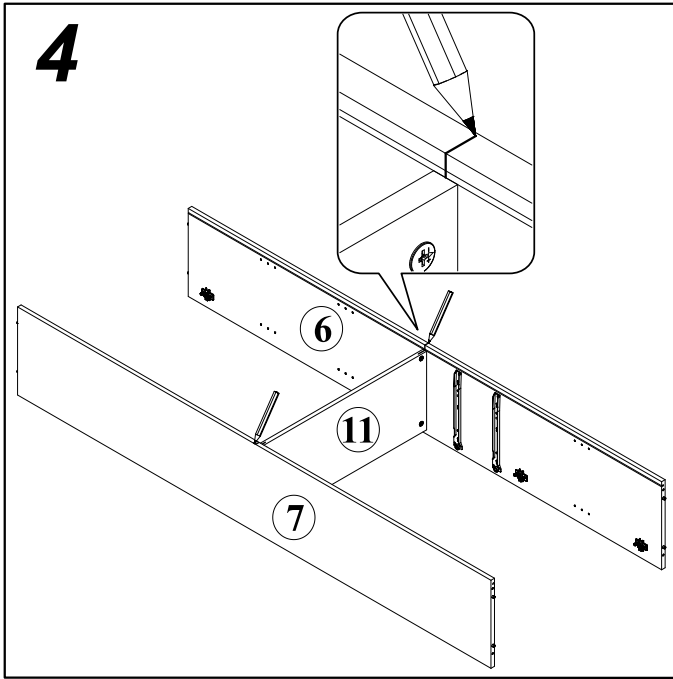


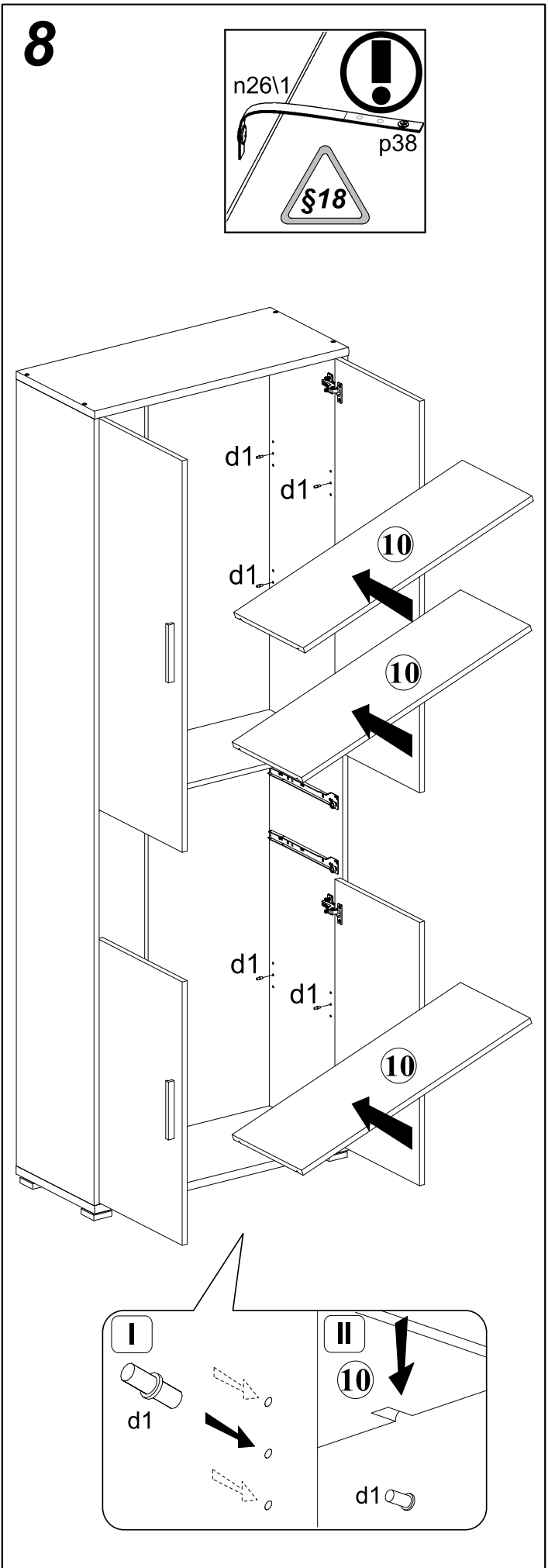
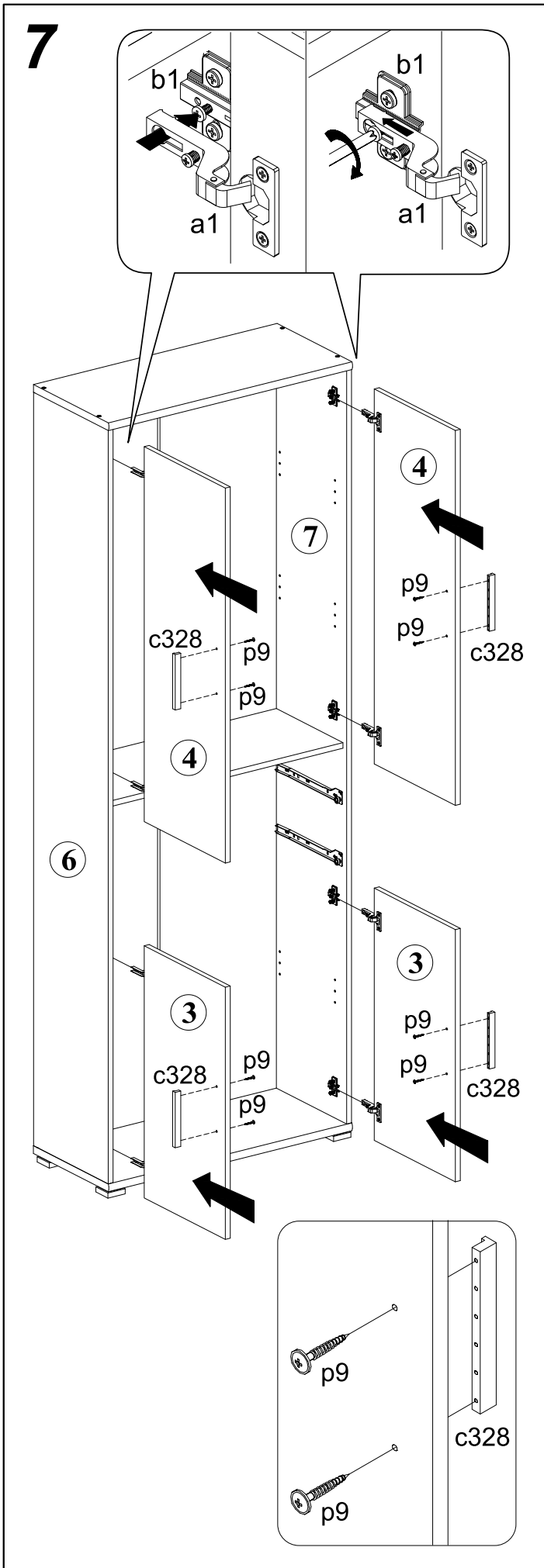
2



3







9

