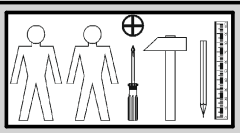
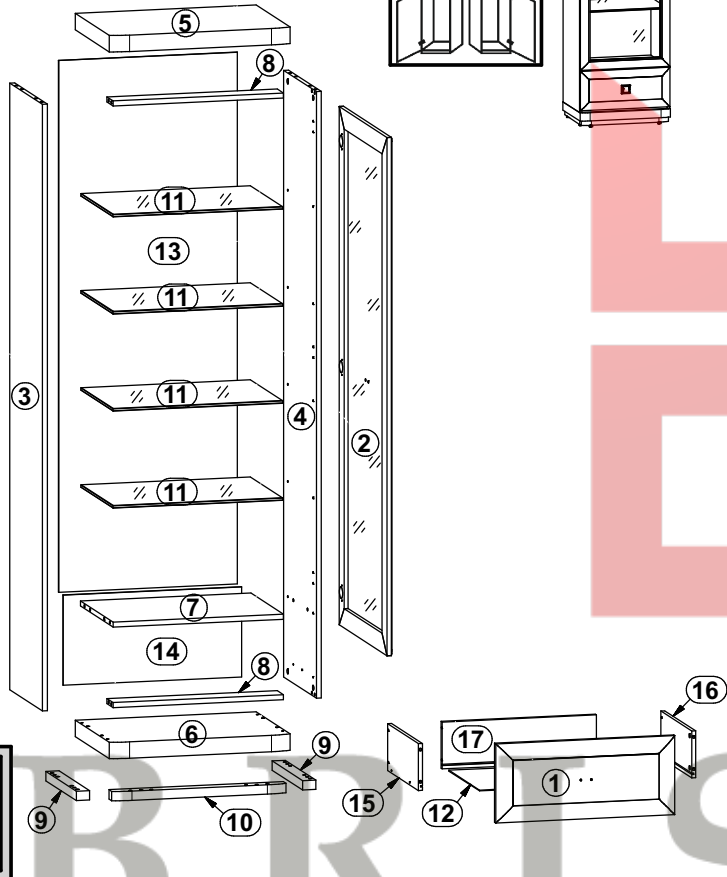
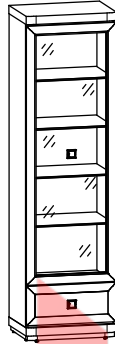


OREGON

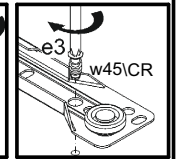
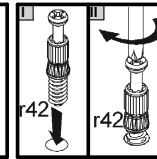
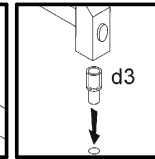
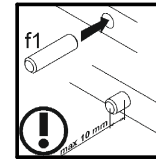
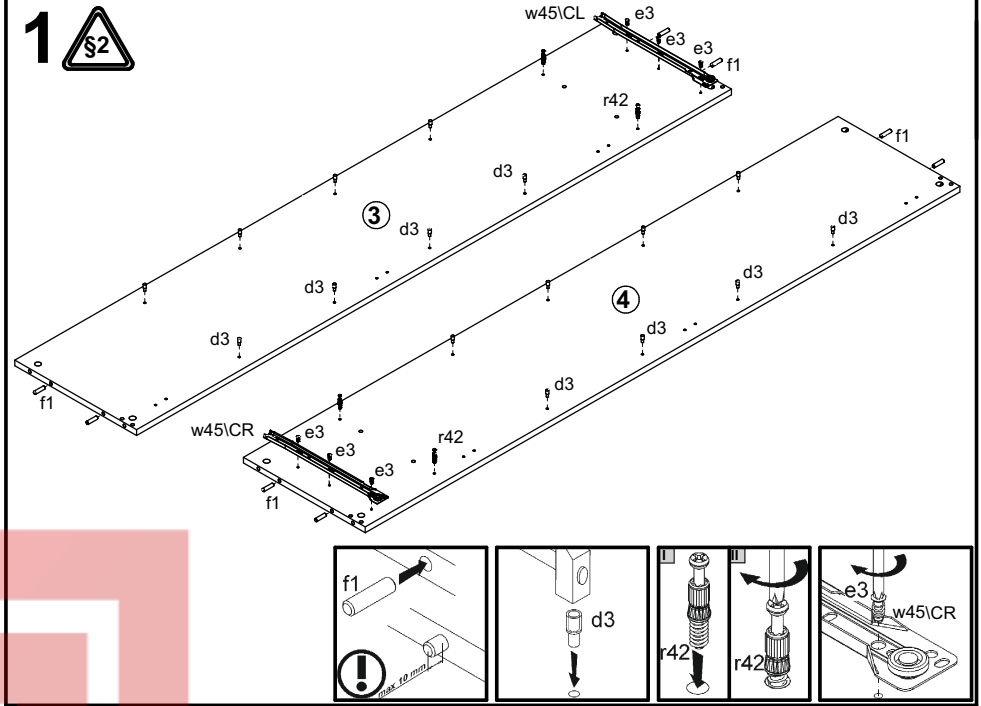
S157-REG1W1S

A	B	C	D	A	B	C	D		
1	S157-0010	544	236	4/5	10	S157-5505	532	40	2/5
2	S157-0013	1548	544	5/5	11	S157-518	516	366	3/5
3	S157-1121	1812	371	1/5	12	S157-9911	480	348	1/5
4	S157-1122	1812	371	1/5	13	S157-9913A	1588	543	5/5
5	S157-2208	552	396	2/5	14	S157-9920	269	543	5/5
6	S157-2209	552	396	2/5	15	ZS2-531	350	140	1/5
7	S157-3309	518	371	1/5	16	ZS2-532	350	140	1/5
8	S157-4404	518	70	2/5	17	ZS2-5587	469	140	1/5
9	S157-502	346	40	2/5					



3x a44	3x b19	2x c333	16x d3 6x17 mm	6x e1 7x50 mm	4x e19 4x50 mm	6x e2 4x13.3 mm	6x e3 4x50 mm	26x f1 4x50 mm
4x f25 4x5x40 mm	2x j2 3x46x7 mm	2x j59 3x13x18 mm	4x k3912 3x16x24.4 mm	4x k3913 3x16x24.4 mm	60x l1	2x o26 4x10x14.4 mm	2x o27 4x10x14.4 mm	6x p51 4x13.5x5 mm
12x r1 41.5x12mm x16	4x r15 41.2x10.5mm x12	16x r42	1x w45ICL 350 mm	1x w45ICR 350 mm	1x w45IDL 350 mm	1x w45IDR 350 mm	4x s2 4x16	1x z1
1x n2611	1x p38 43.5x16 mm							

1



2

