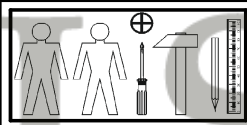
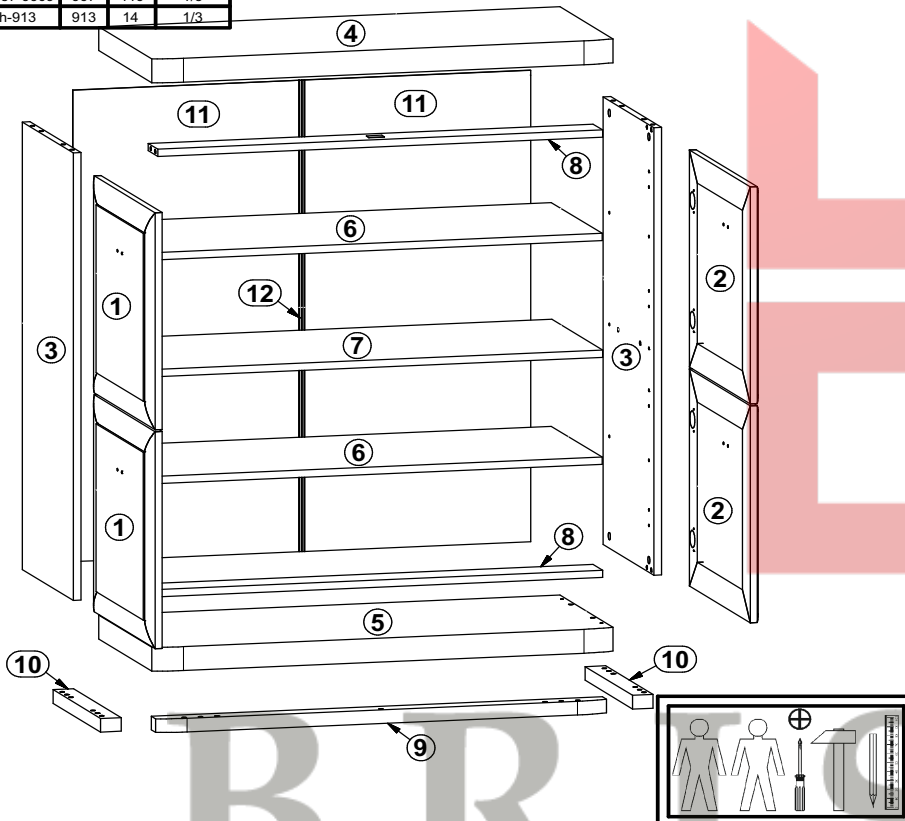
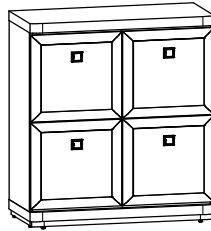


OREGON

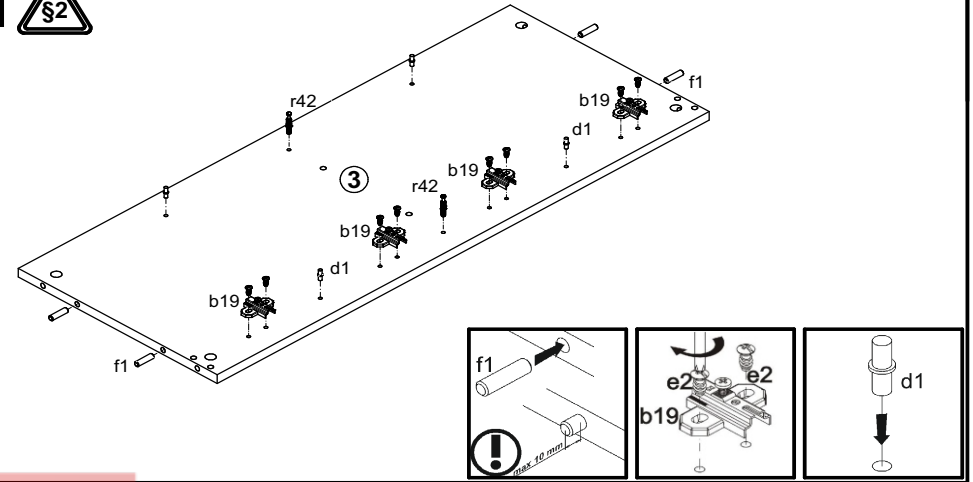
S157-KOM4D

A	B	C	D
1	S157-0007	445	445 3/3
2	S157-0008	445	445 3/3
3	S157-1114	918	371 1/3
4	S157-2201	902	396 2/3
5	S157-2202	902	396 2/3
6	S157-3304	867	370 1/3
7	S157-3305	868	371 1/3
8	S157-4401	868	70 2/3
9	S157-5501	882	40 2/3
10	S157-502	346	40 2/3
11	S157-9909	967	446 1/3
12	Lh-913	913	14 1/3



8x a44	8x b19	4x c333	8x d1 ø5x17 mm	7x e1 ø9x50 mm	16x e2 ø6,5x13 mm	26x f1 ø8x30 mm	8x j59 Δ4x13 mm	4x k39/2
4x k39/3	45x l1	16x p51 ø3,5x15 mm	12x r1 ø1,5x13 mm ø16	12x r42	8x s2 ø16	1x z1	1x n26/1	1x p38 ø3,5x16 mm

1



2

