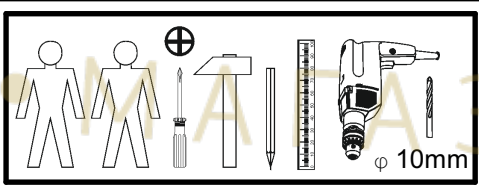
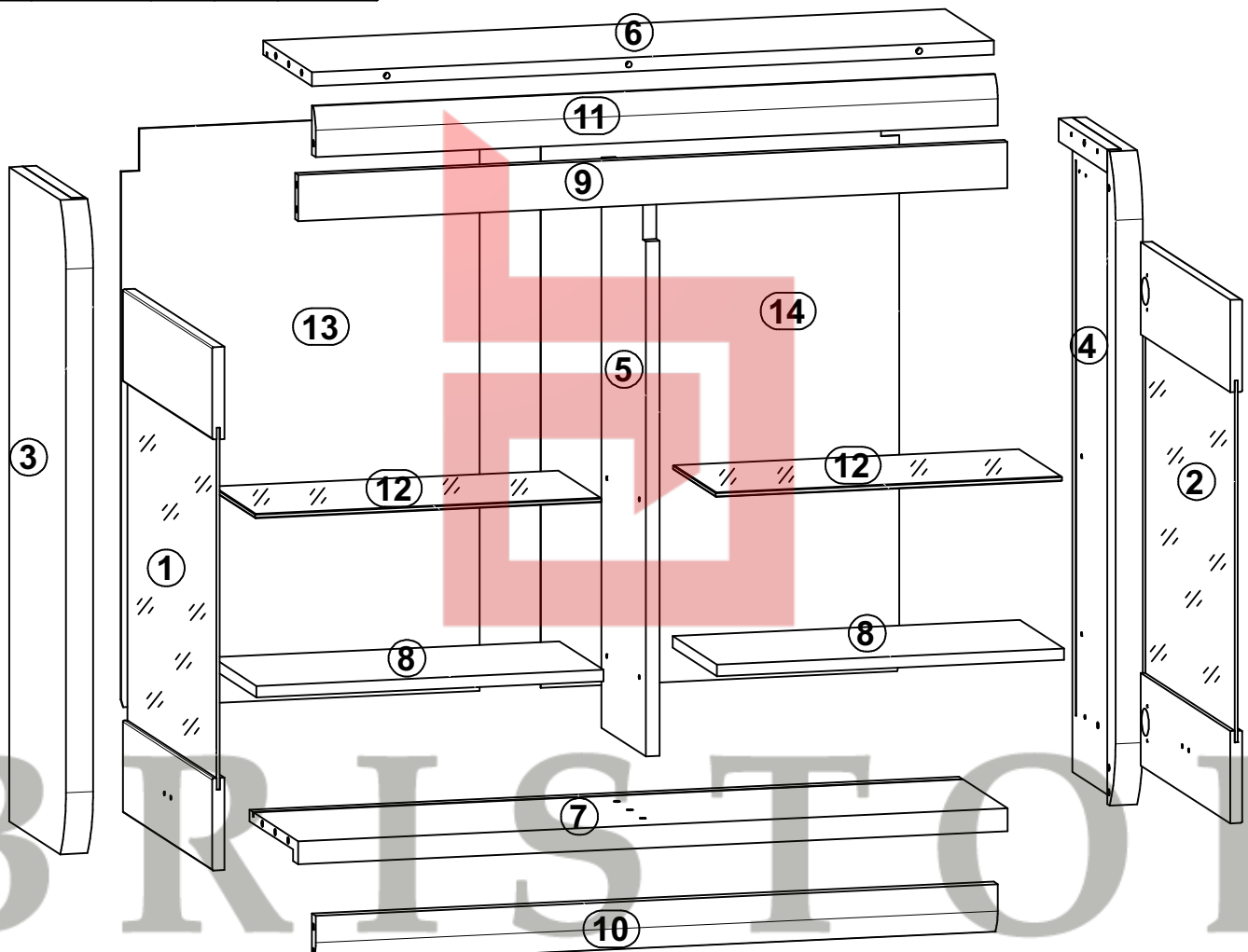


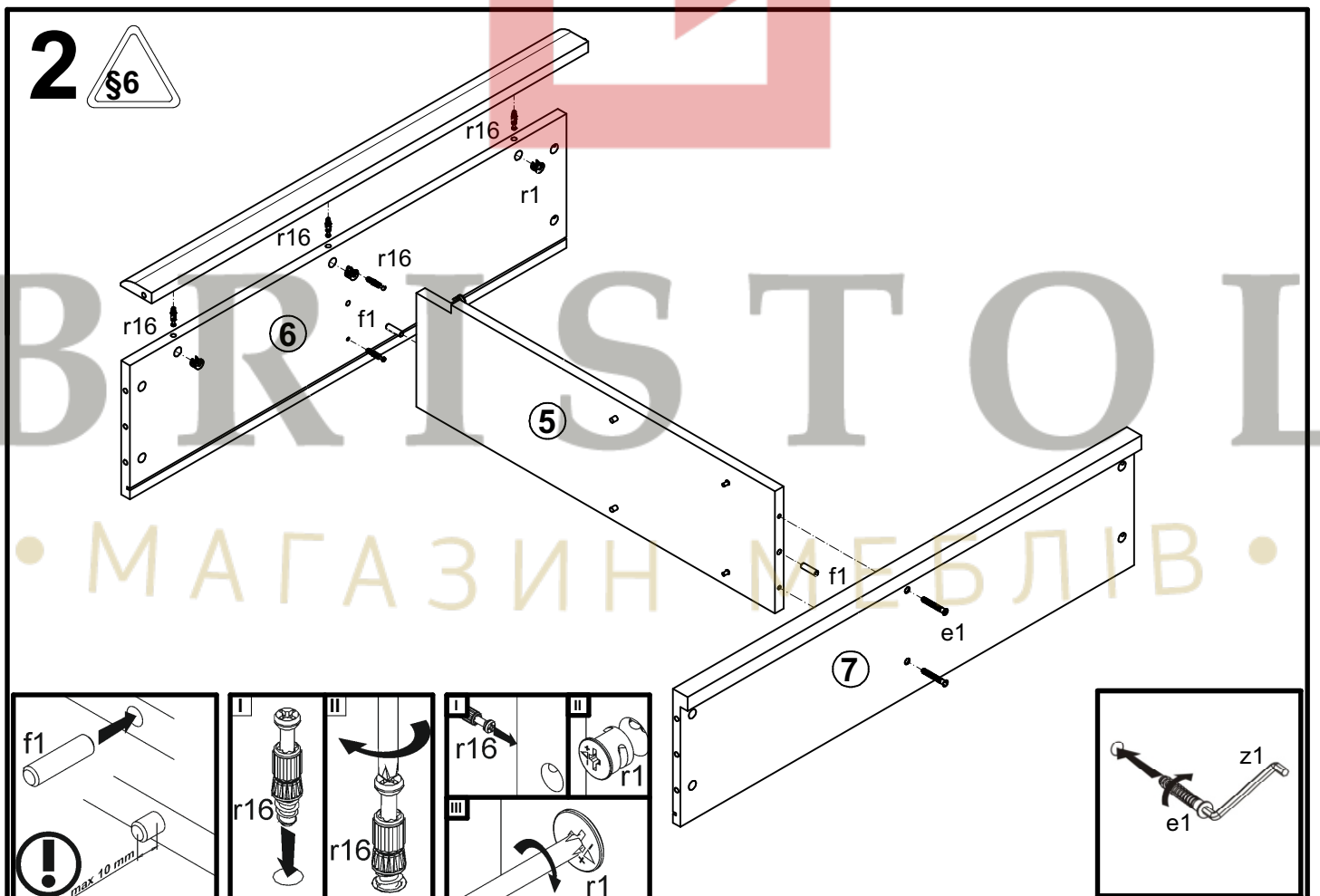
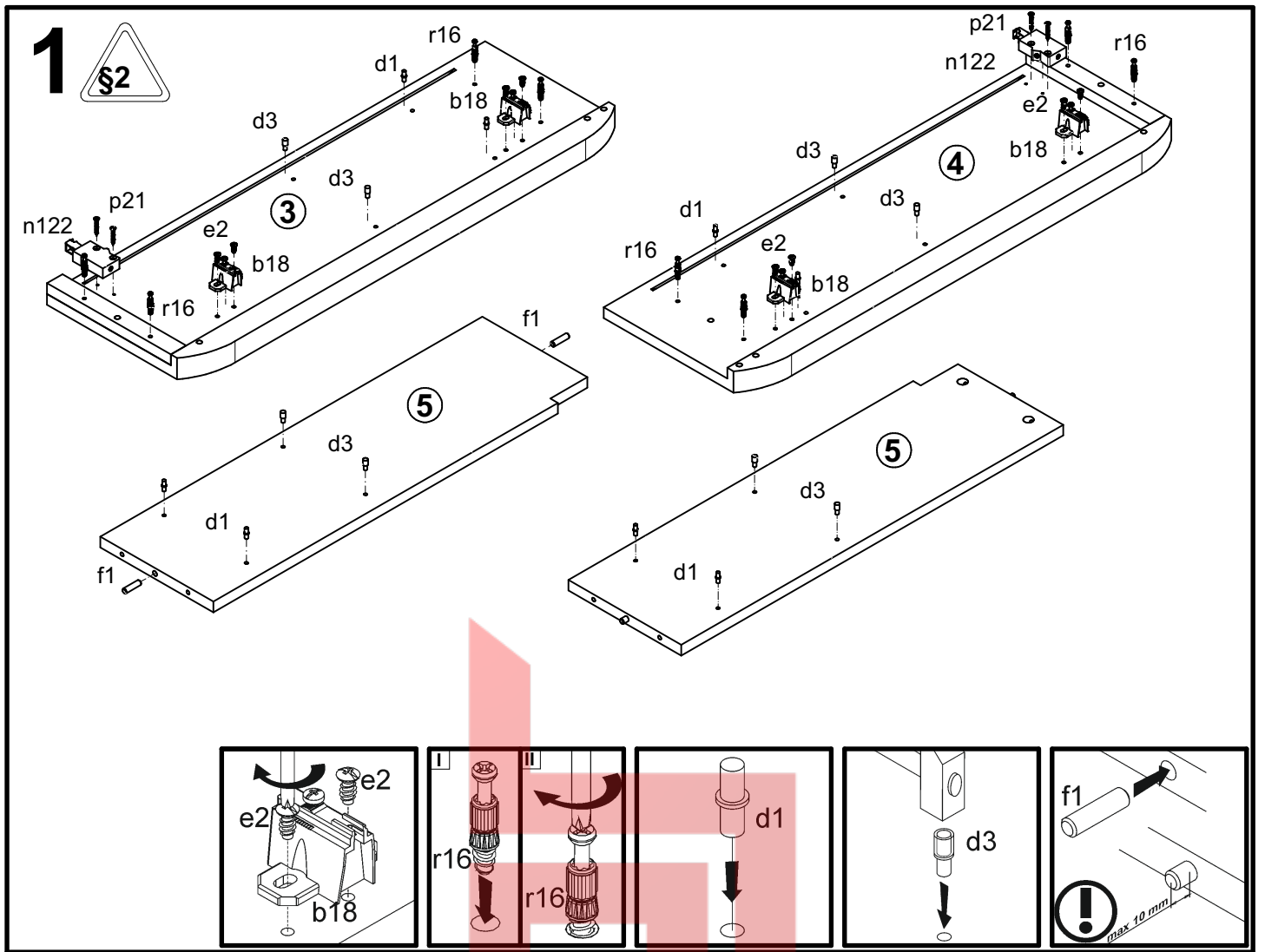
LOREN

S163-SFW2W

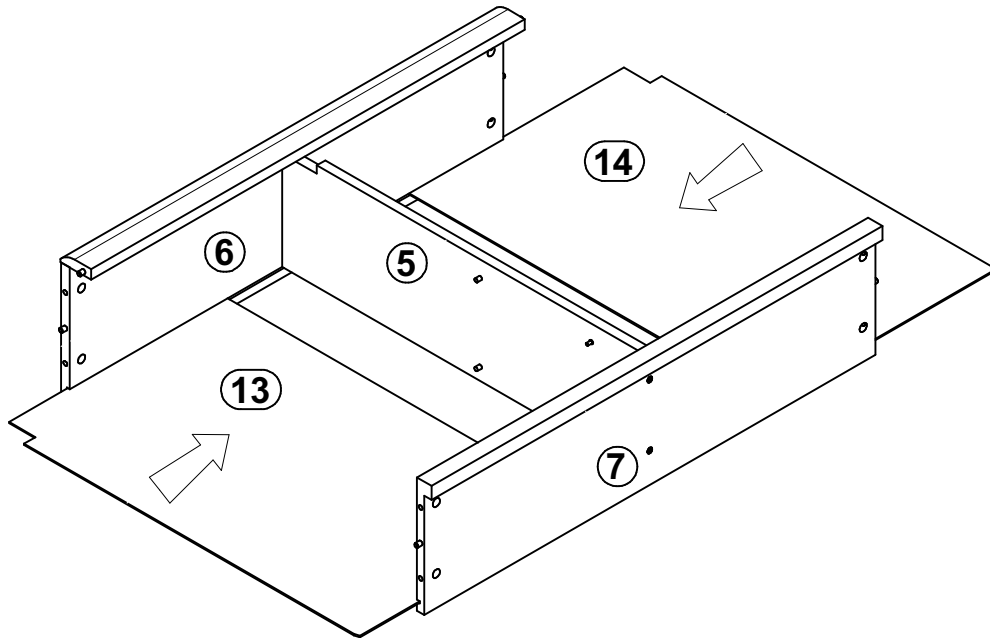
A	B	C	D	
1	S163-017	680	441	3/3
2	S163-018	680	441	3/3
3	S163-1131	850	280	1/3
4	S163-1132	850	280	1/3
5	S163-1133	741	219	1/3
6	S163-331	902	240	1/3
7	S163-3332	938	240	1/3
8	S163-3333	459	218	1/3
9	S163-4405	938	60	1/3
12	S163-515	458	210	2/3
10	S163-513	902	64	1/3
11	S163-514	902	64	1/3
13	S163-9921	751	474	3/3
14	S163-9922	751	474	3/3



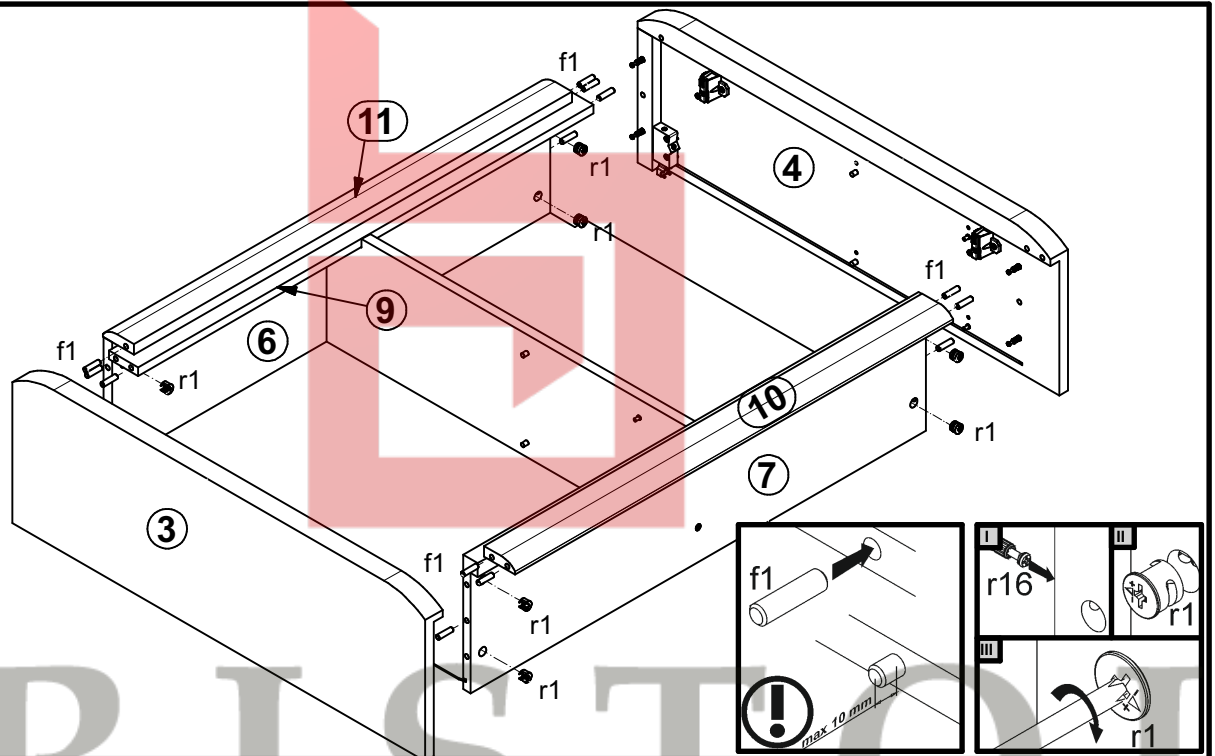
4x a43	4x b18	2x c333	8x d1 φ 5x17 mm	8x d3 φ 5x17 mm	2x e1 φ 7x50 mm	8x e2 φ 6,3x13 mm	16x f1 φ 6x30 mm	4x f35 φ 11x50 mm
4x j1 M4x20 mm	15x l1	14x l2	10x s2 φ 6	4x p21 φ 4x30 mm	8x p51 φ 5x15 mm	4x p17 φ 5x60 mm	13x r1 φ 11x12 mm #16	13x r16
2x s1	1x z1	2x n122	2x n10					



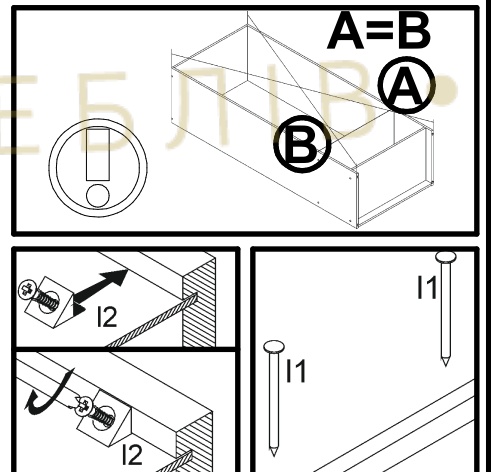
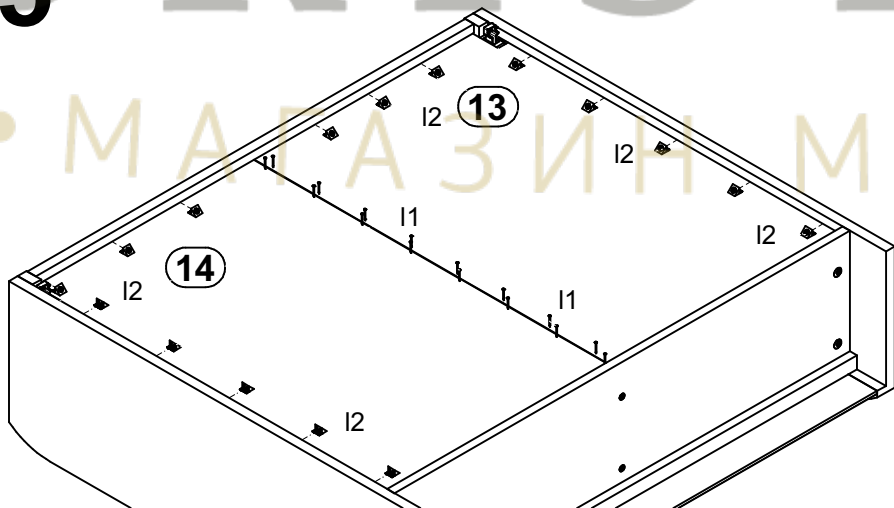
3 



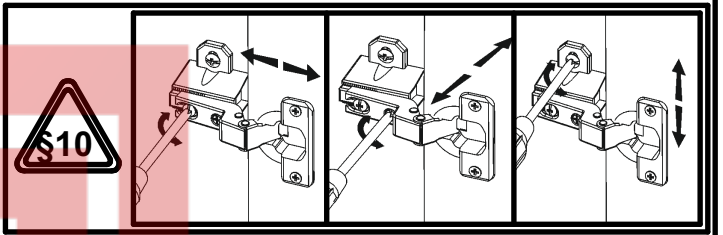
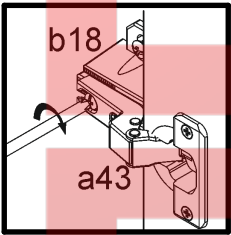
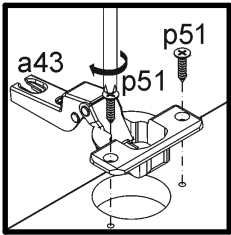
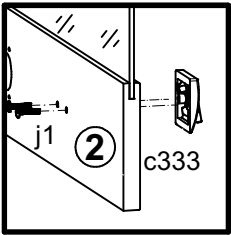
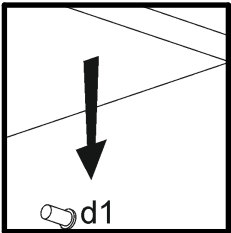
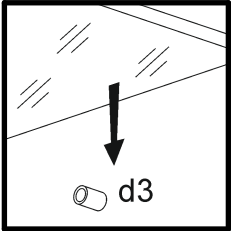
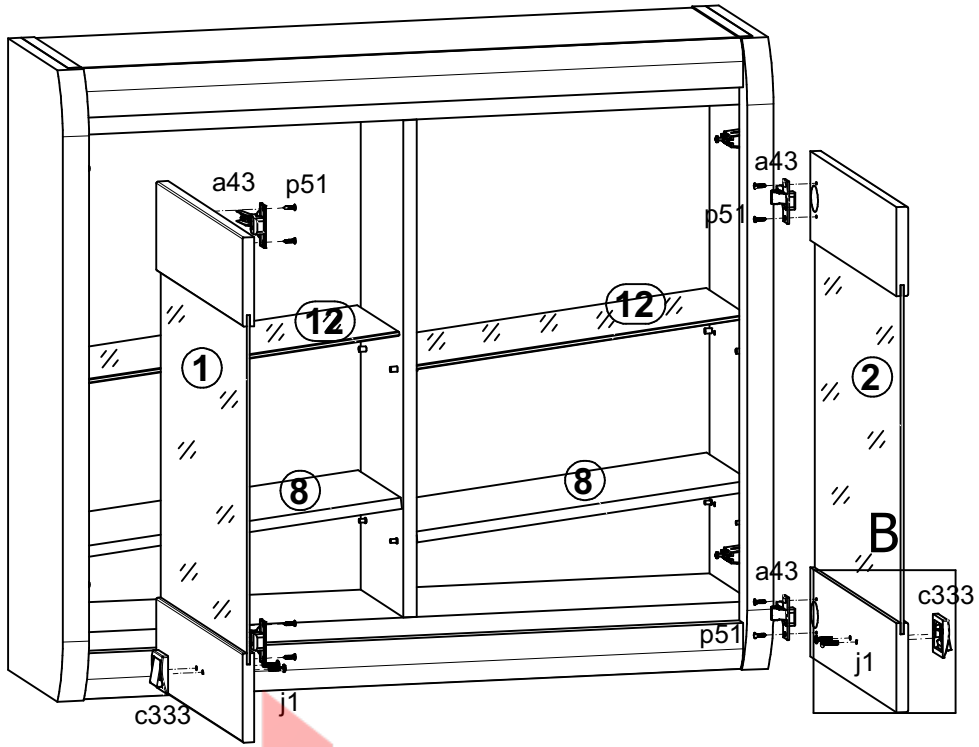
4



5



6



7

