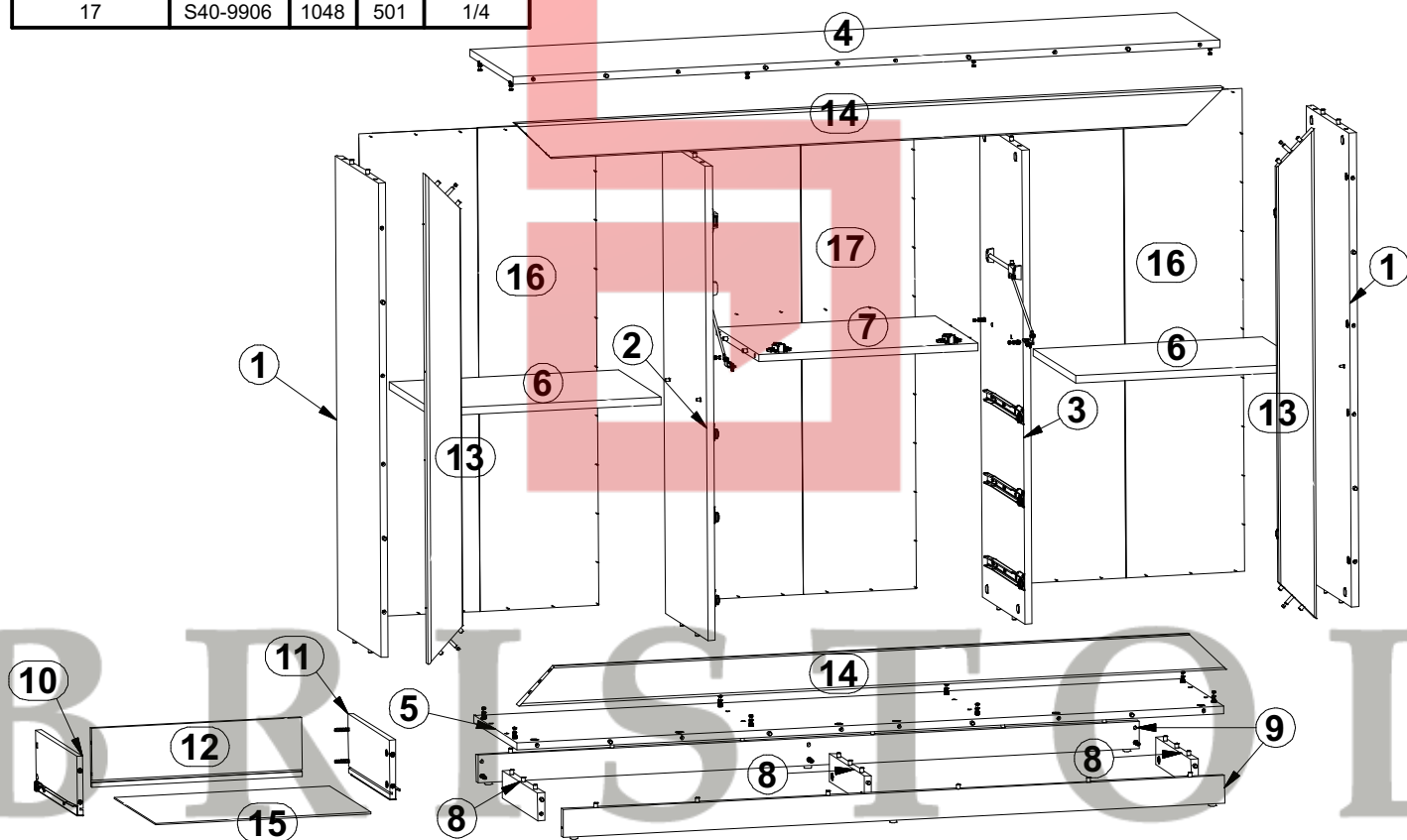
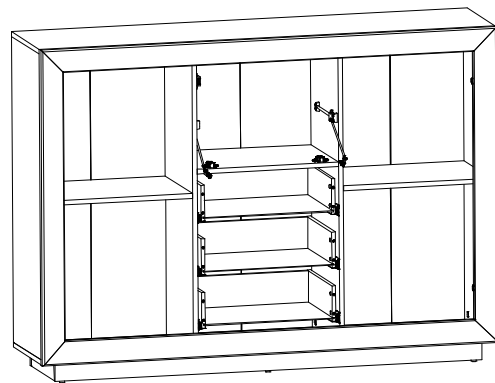


# LARGO

# PREG2D1K3S



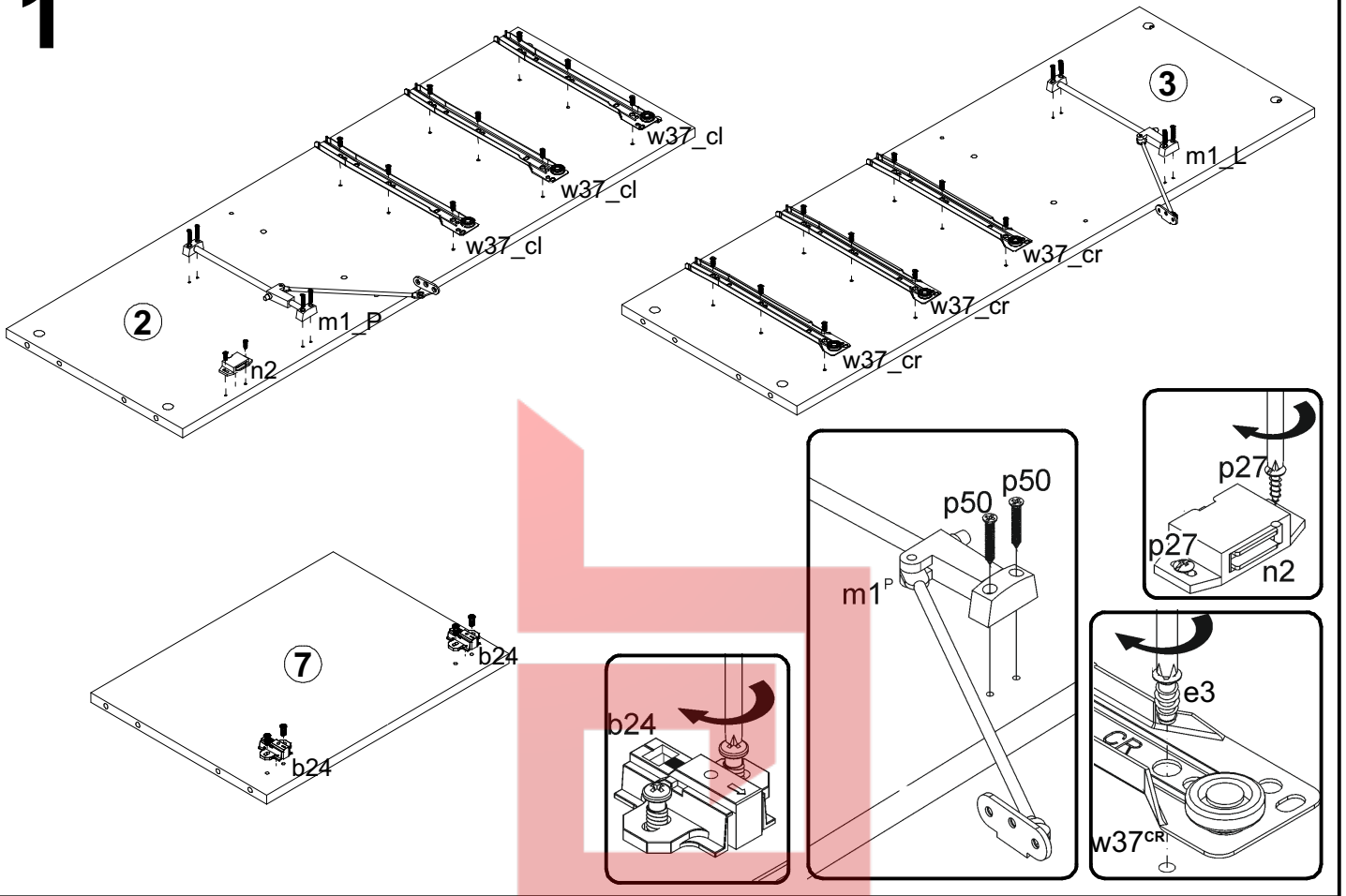
A	B	C	D	
1	S40-108	1028	351	2/4
2	S40-109	1028	351	1/4
3	S40-110	1028	351	1/4
4	S40-209A	1561	351	2/4
5	S40-210A	1561	351	2/4
6	S40-301	506	351	2/4
7	S40-305	484	351	1/4
8	S40-402	290	60	1/4
9	S40-405	1460	60	2/4
10	S40-501	320	120	1/4
11	S40-502	320	120	1/4
12	S40-505	435	120	1/4
13	S40-572	1062	80	3/4
14	S40-575	1562	80	3/4
15	S40-910A	446	318	2/4
16	S40-9905A	1048	523	1/4
17	S40-9906	1048	501	1/4



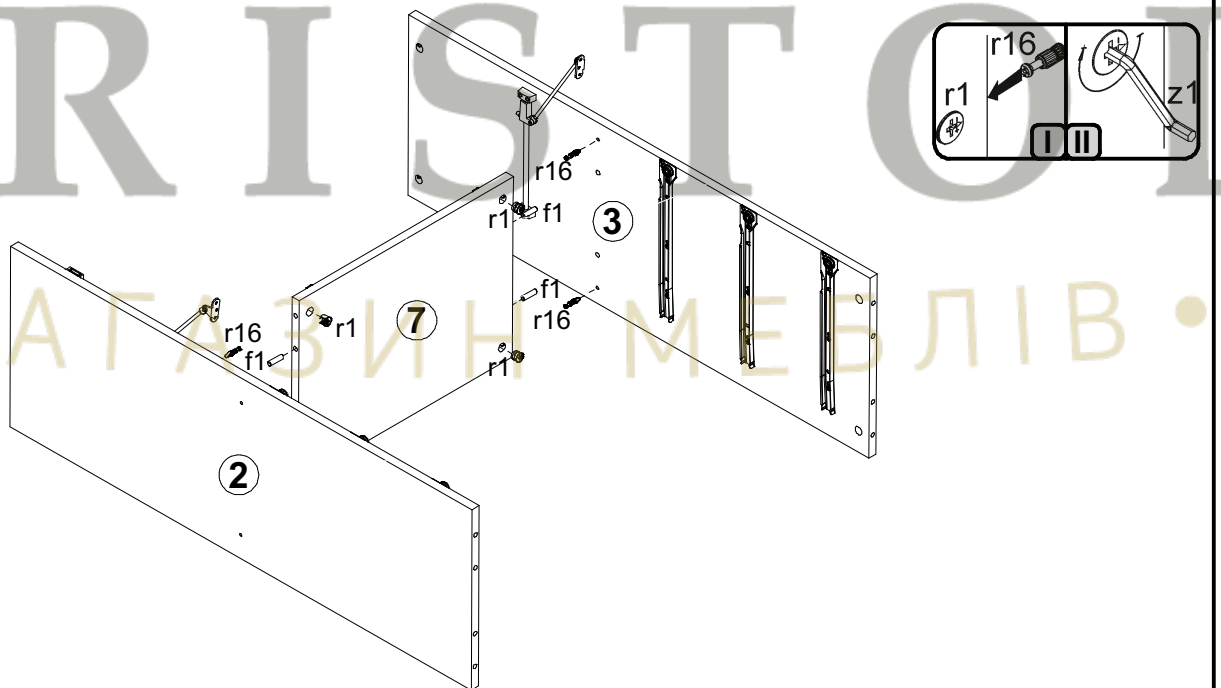
4x  a56	2x  a58	2x  b24	4x  b6	8x  d1 φ5x17 mm	18x  e3 φ6x13 mm	67x  f1 φ8x30 mm	12x  f25 φ6.5x40 mm	6x  k1
80x  l1	1x  m1	1x  m1P	1x  n2	1x  n3 50x121,5 mm	6x  p1 φ3,5x13 mm	2x  p27 φ3,5x13 mm	8x  p50 φ2,9x24 mm	14x  p54 φ3x12 mm
54x  r1 φ15x12mm #16	4x  r10	12x  r15 φ12x10,5mm #12	58x  r16	16x  s2 φ16	3x  w37 <sup>CL</sup> 300 mm	3x  w37 <sup>CR</sup> 300 mm	3x  w37 <sup>DL</sup> 300 mm	3x  w37 <sup>DR</sup> 300 mm
1x  y1	1x  z1	1x  n26	1x  p38 φ3,5x16 mm					



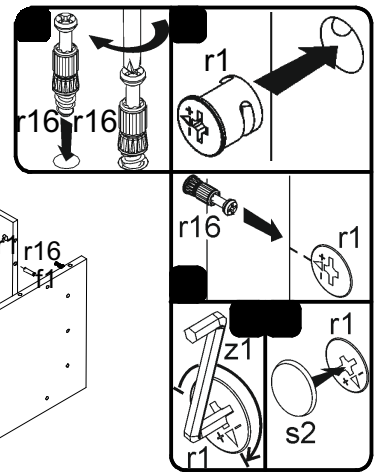
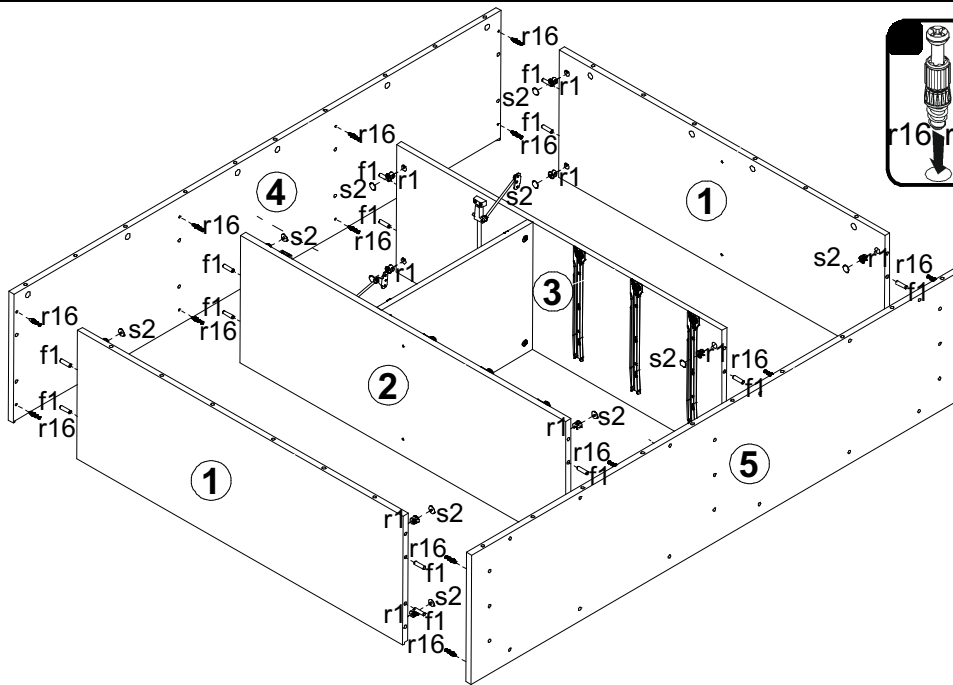
1



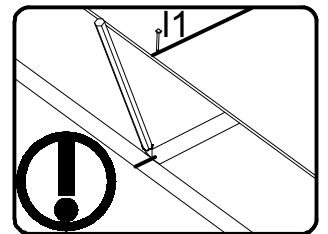
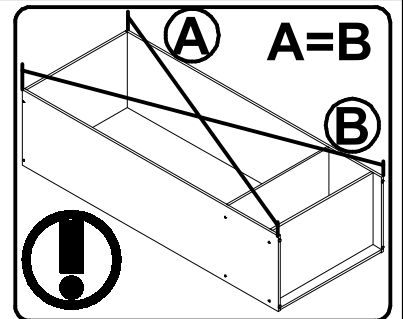
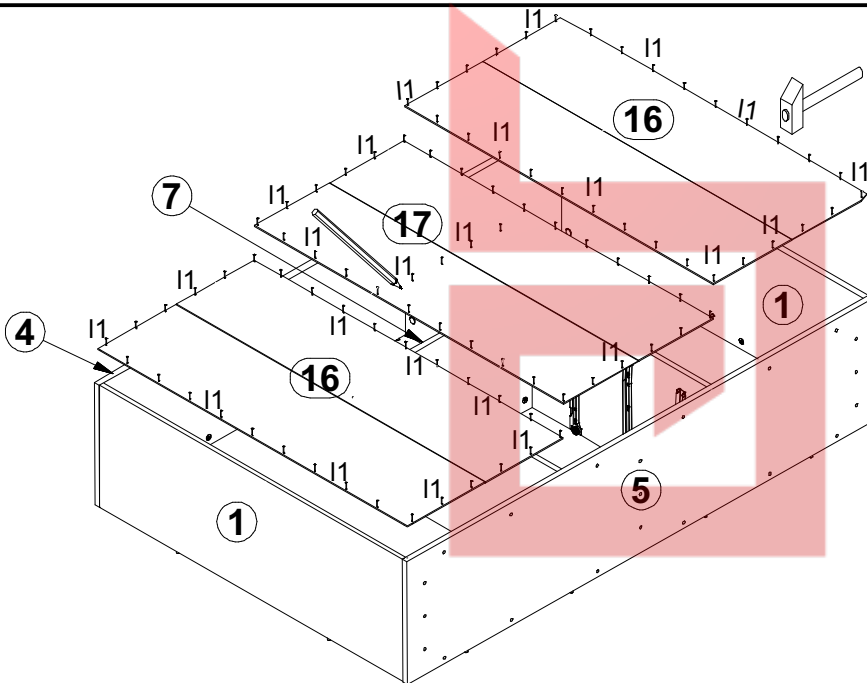
2



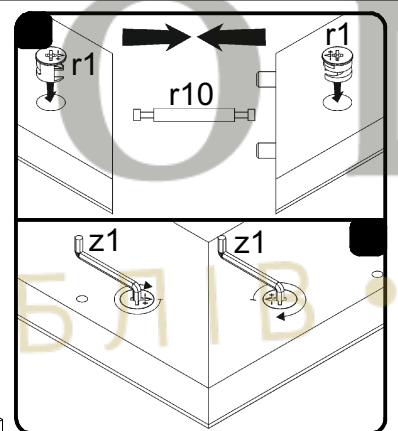
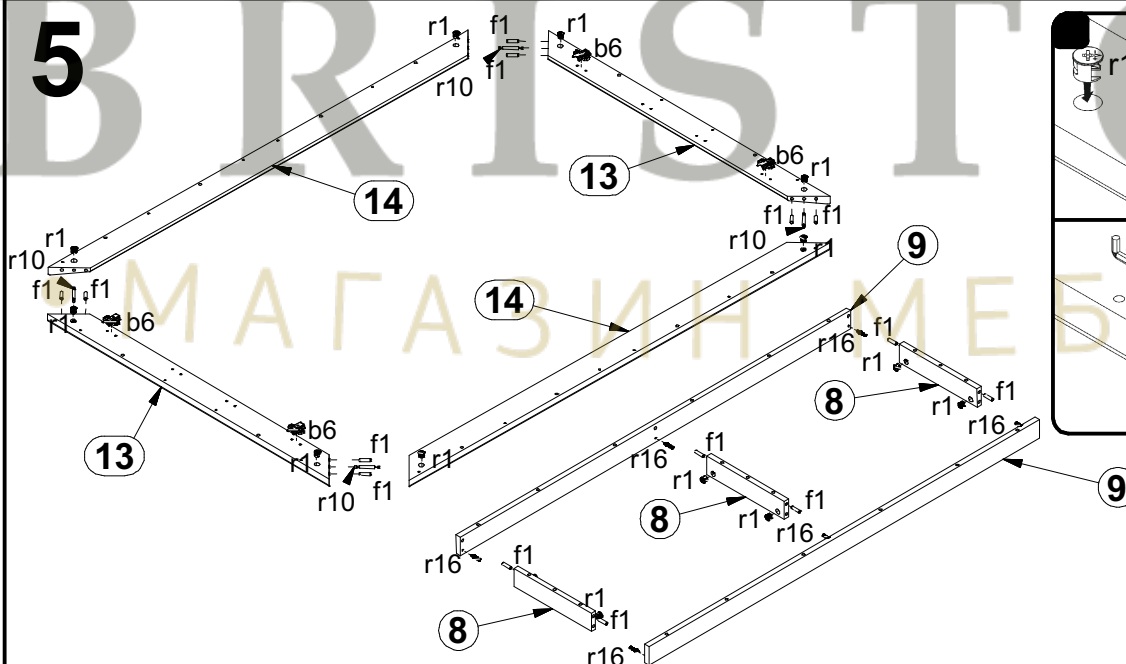
# 3



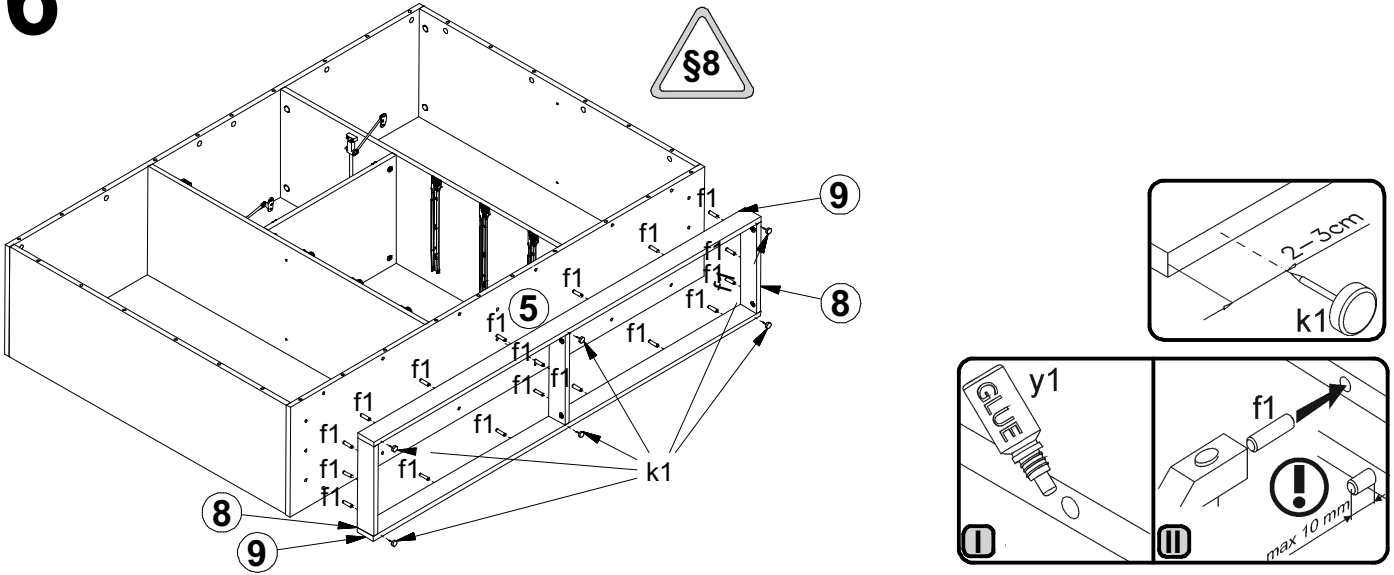
# 4



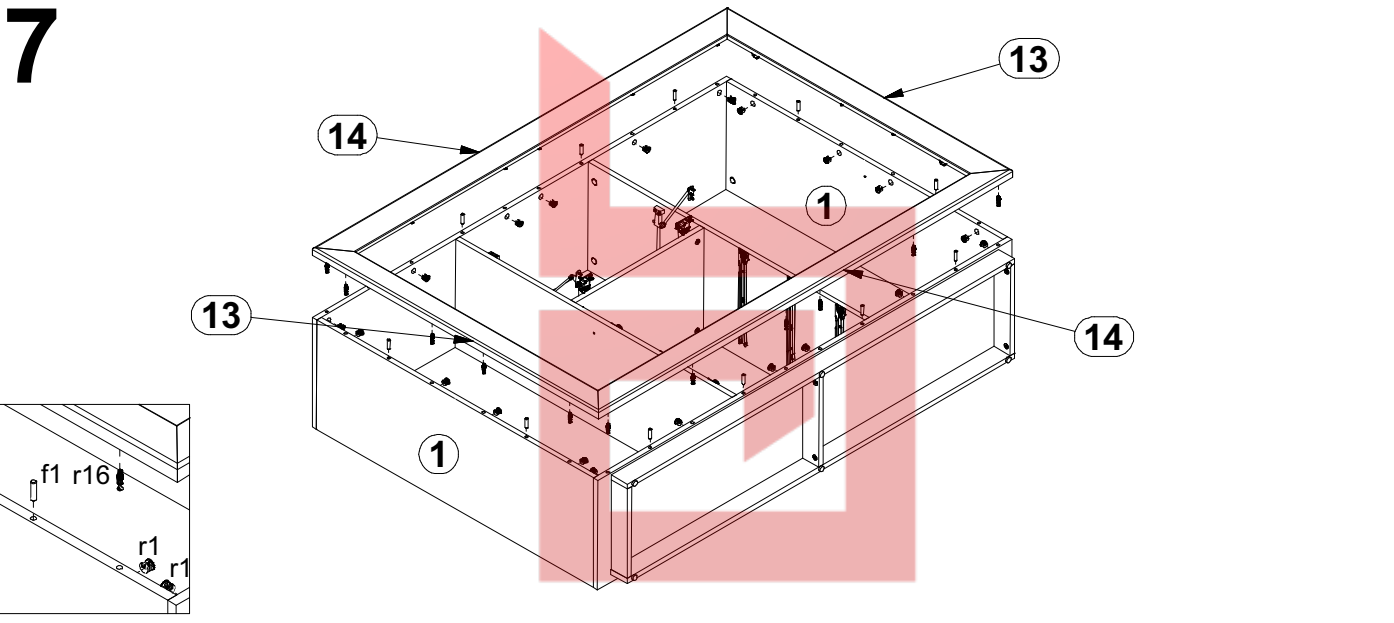
# 5



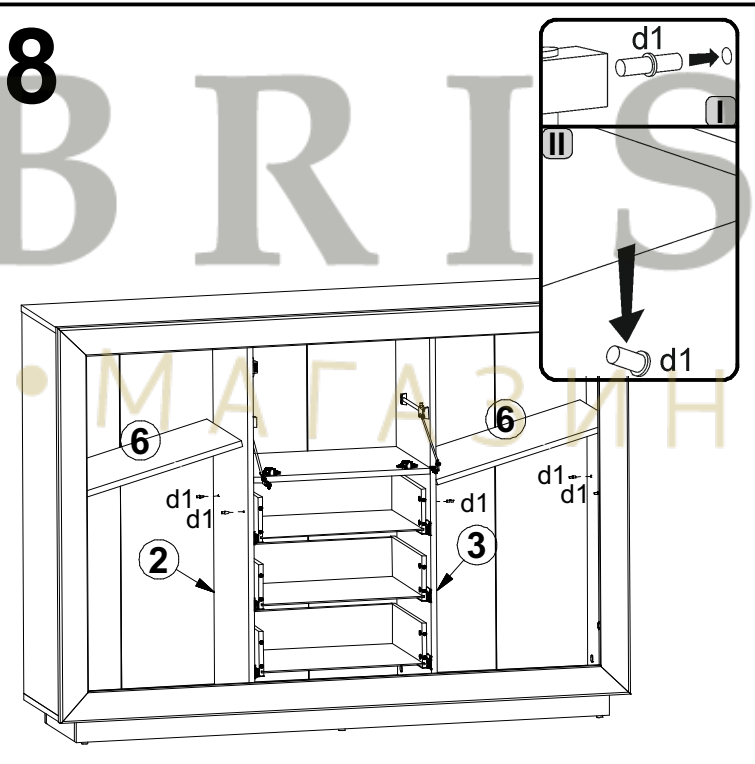
# 6



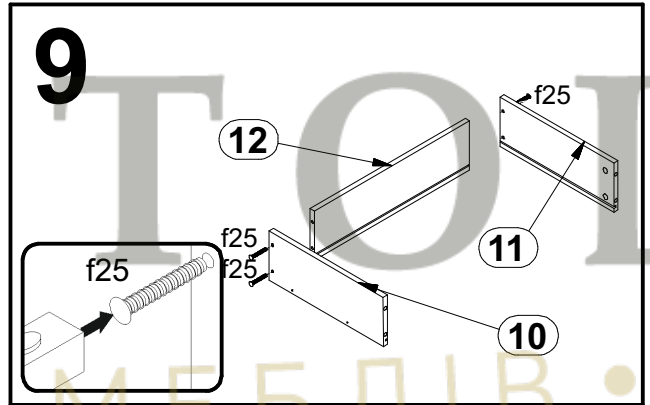
# 7



# 8



# 9



# 10

