

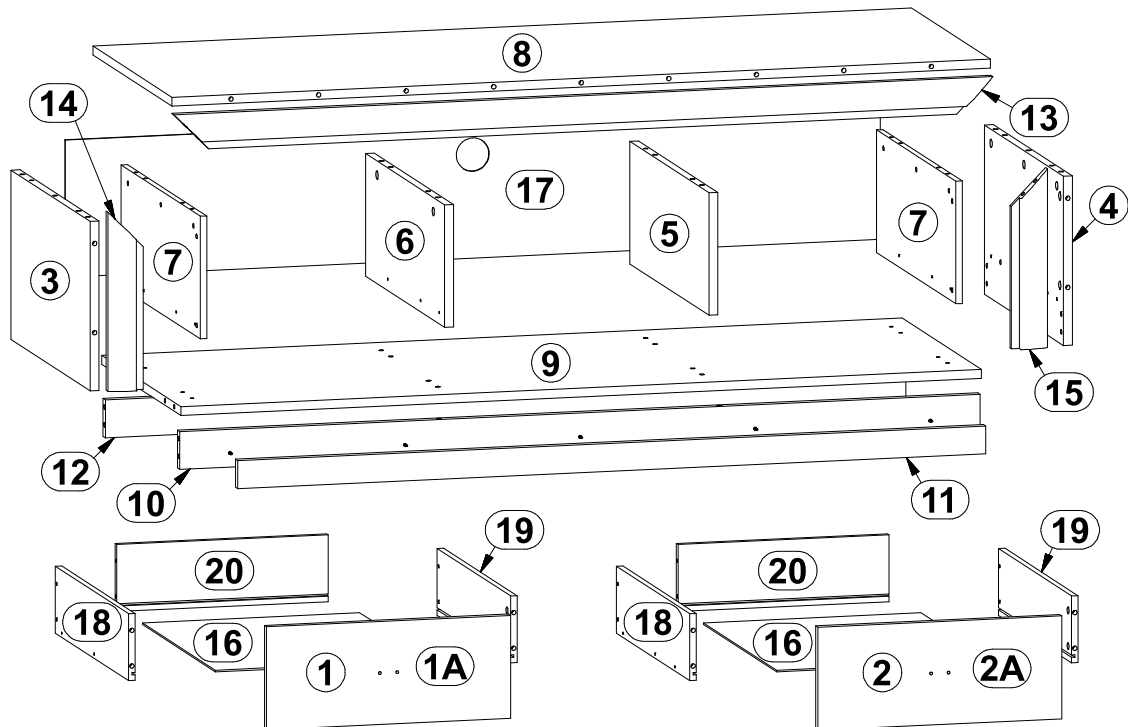
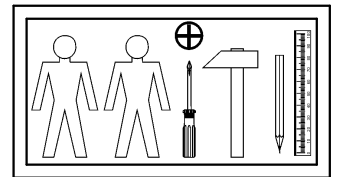
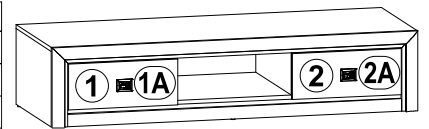
КОЕН

Тумба РТВ RTV2S

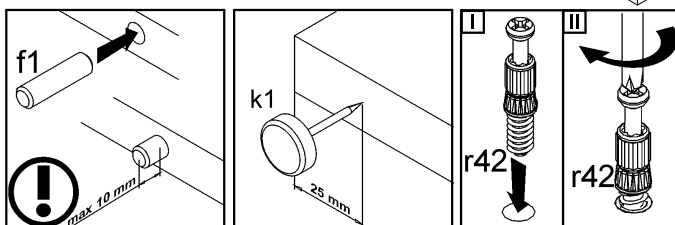
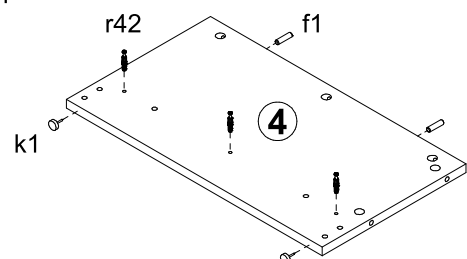
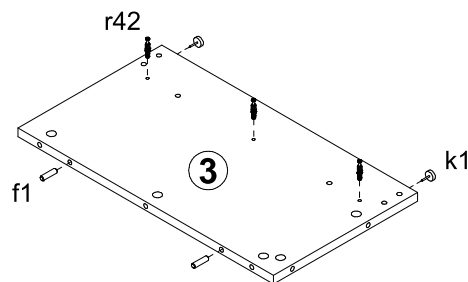
A	B	C	D	
1	S136-008	446	185	3/3
1A	S136-008A	446	185	3/3
2	S136-009	446	185	3/3
2A	S136-009A	446	185	3/3
3	S136-117	304	540	1/3
4	S136-118	304	540	1/3
5	S136-119	220	540	1/3
6	S136-120	220	540	1/3
7	S136-121	220	540	1/3
8	S136-205	1496	540	1/3
9	S136-305	1463	540	1/3

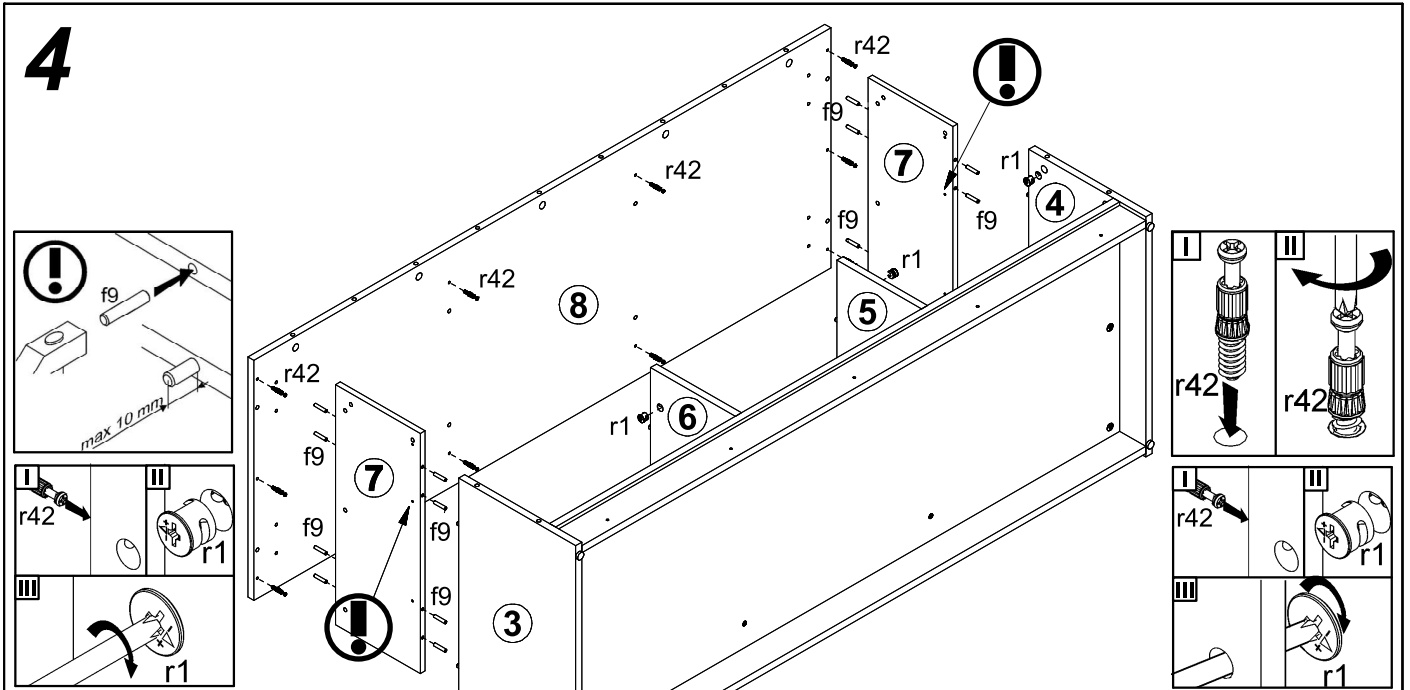
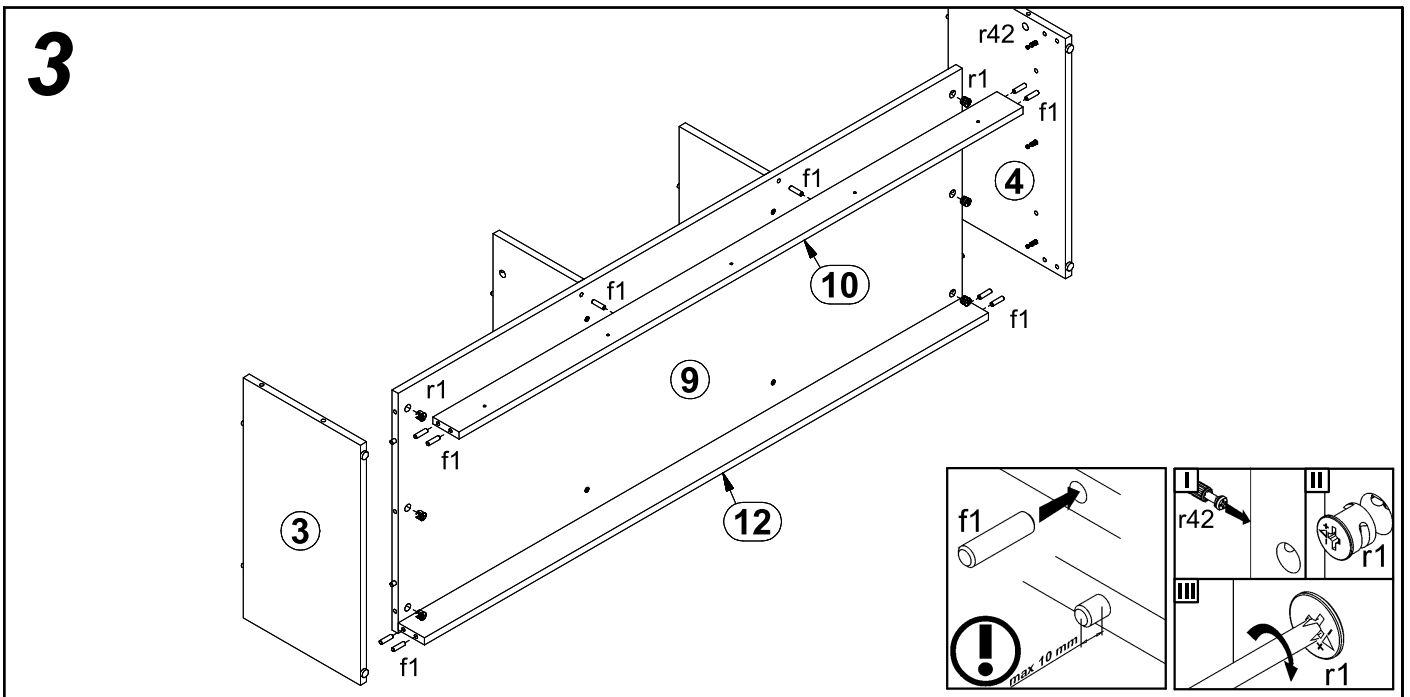
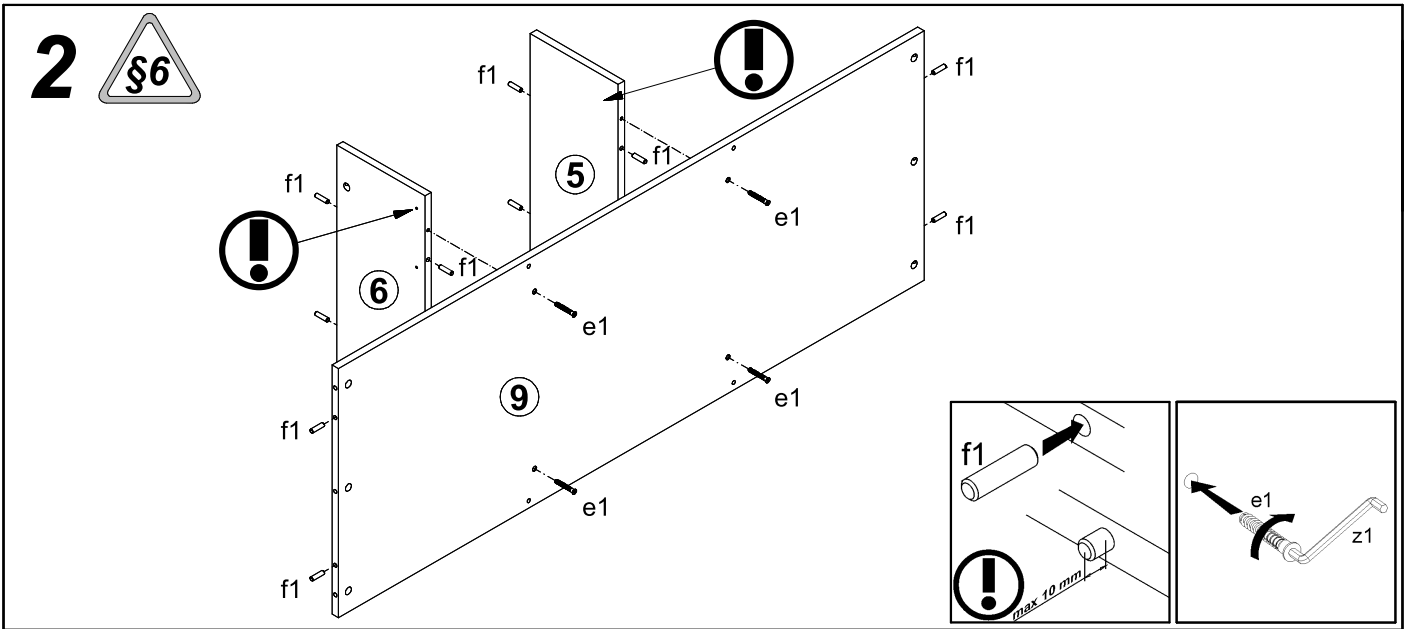
→ Фасад ДСП
→ Фасад МДФ
→ Фасад ДСП
→ Фасад МДФ

A	B	C	D	
10	S136-407	1463	68	1/3
11	S136-409	1367	50	1/3
12	S136-427	1463	68	1/3
13	S136-579	1497	65	2/3
14	S136-580	321	65	2/3
15	S136-581	321	65	2/3
16	S136-909	397	498	1/3
17	S136-912	246	1490	1/3
18	ZS2-509	500	120	1/3
19	ZS2-510	500	120	1/3
20	ZS2-5561	386	120	1/3

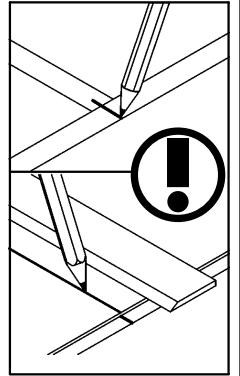
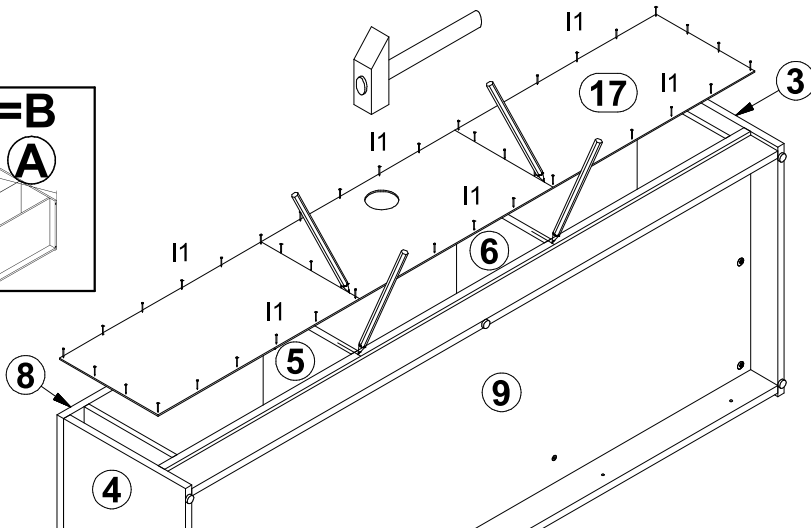
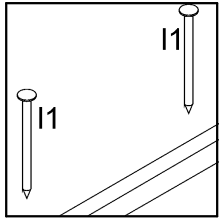
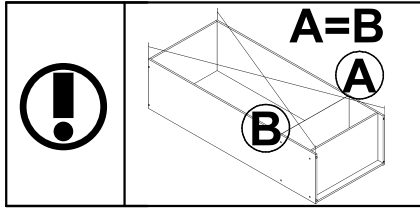


2x c317	4x e1 φ7x50 mm	12x p54 φ3x12 mm	12x e3 φ6x13 mm	34x f1 φ8x30 mm	8x e32 φ5x50 mm	16x f9 φ6x30 mm	4x j30 3/4x22 mm	6x k1
45x l1	5x p94 φ4x28 mm	29x r1 φ15x12mm #16	2x r10	8x r15 φ12x10.5mm #12	33x r42	2x w26\CL 500 mm	2x w26\CR 500 mm	2x w26\DL 500 mm
2x w26\DR 500 mm	1x z1	4x s2 φ16	2x s100 самоклеяка φ20					

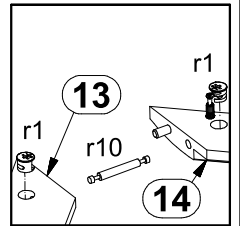
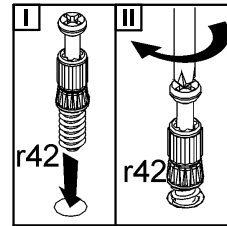
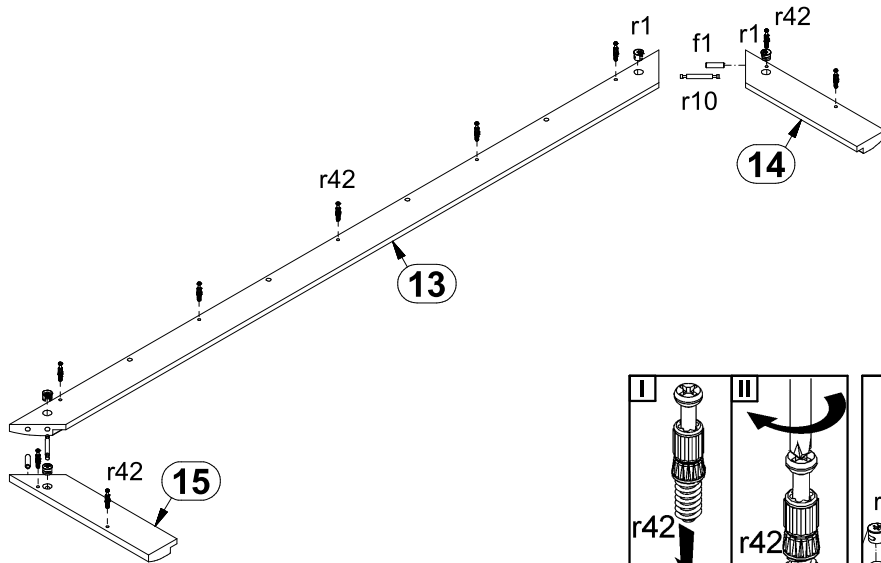
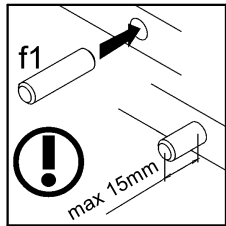




5



6



7

