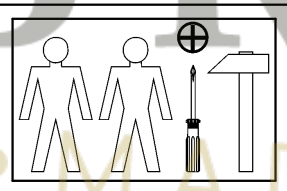
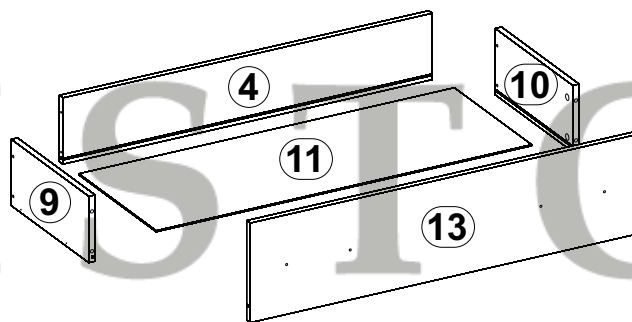
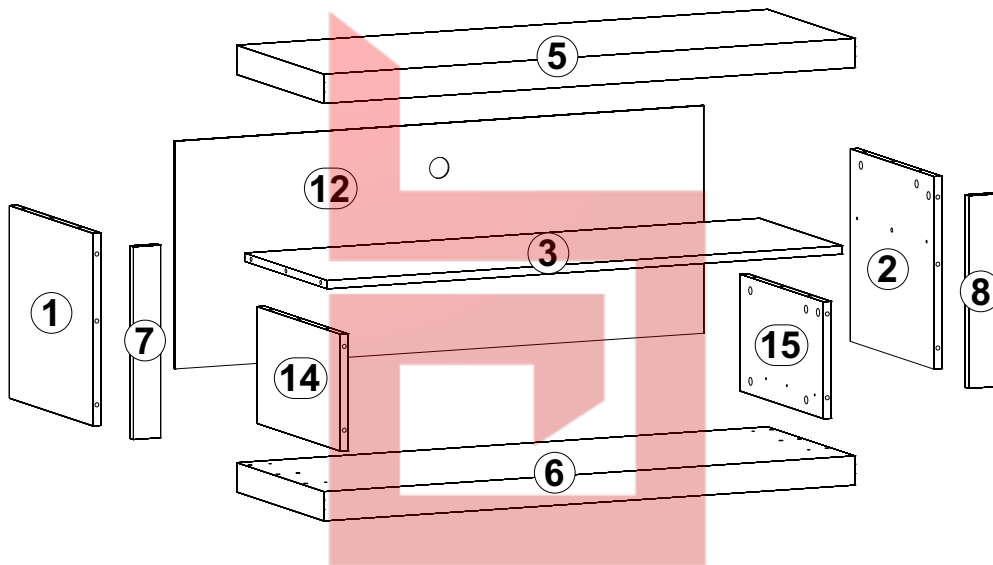
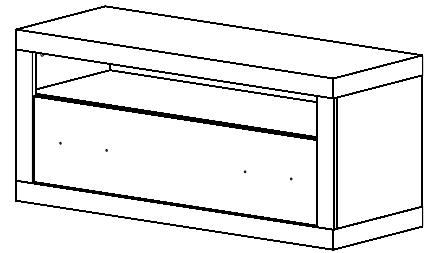


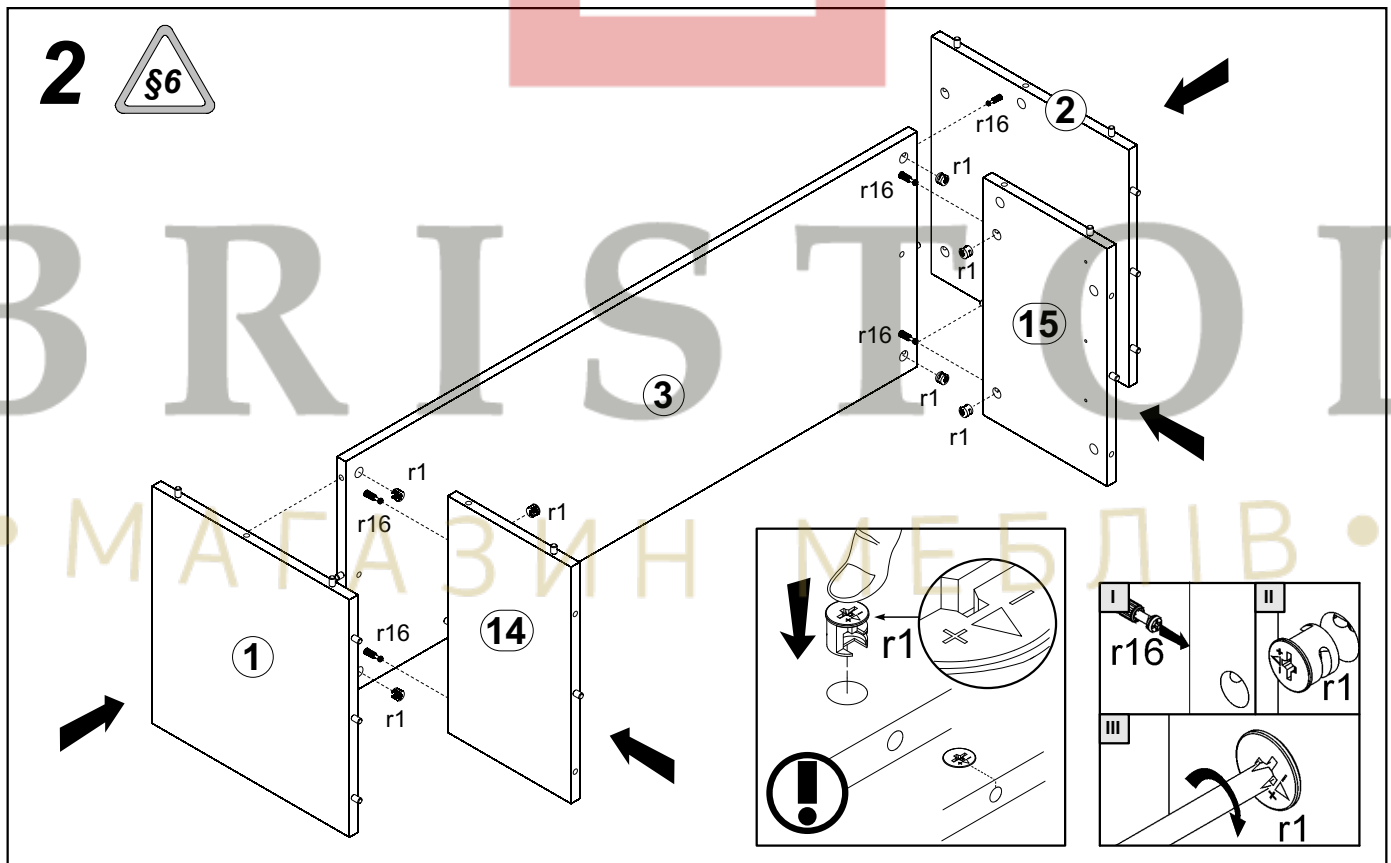
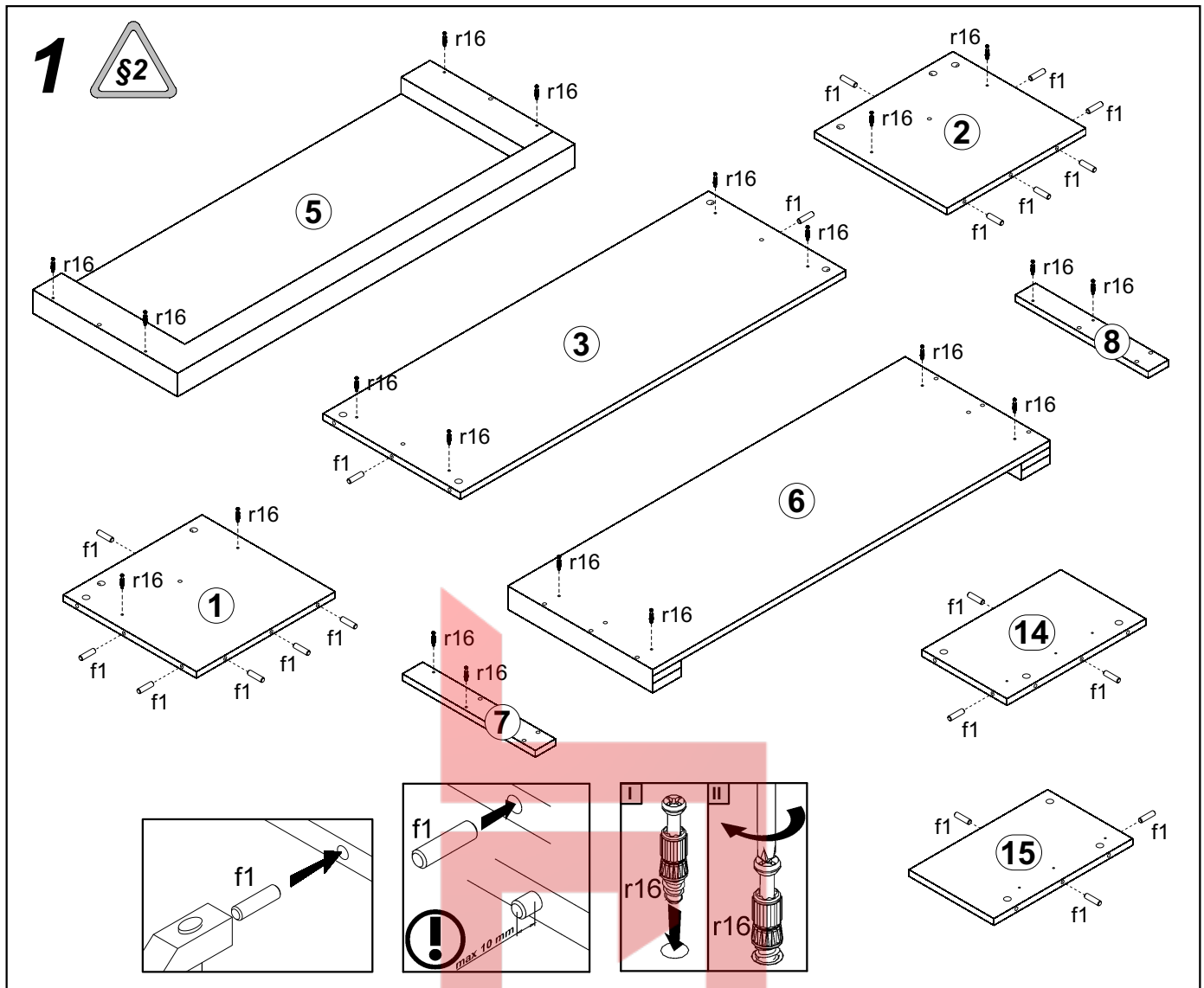
# КАРМЕН

Тумба РТВ - 110

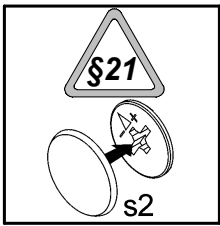
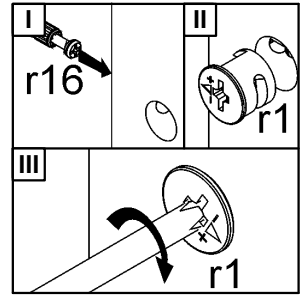
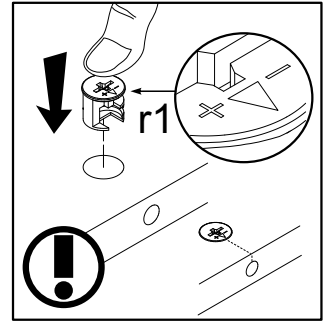
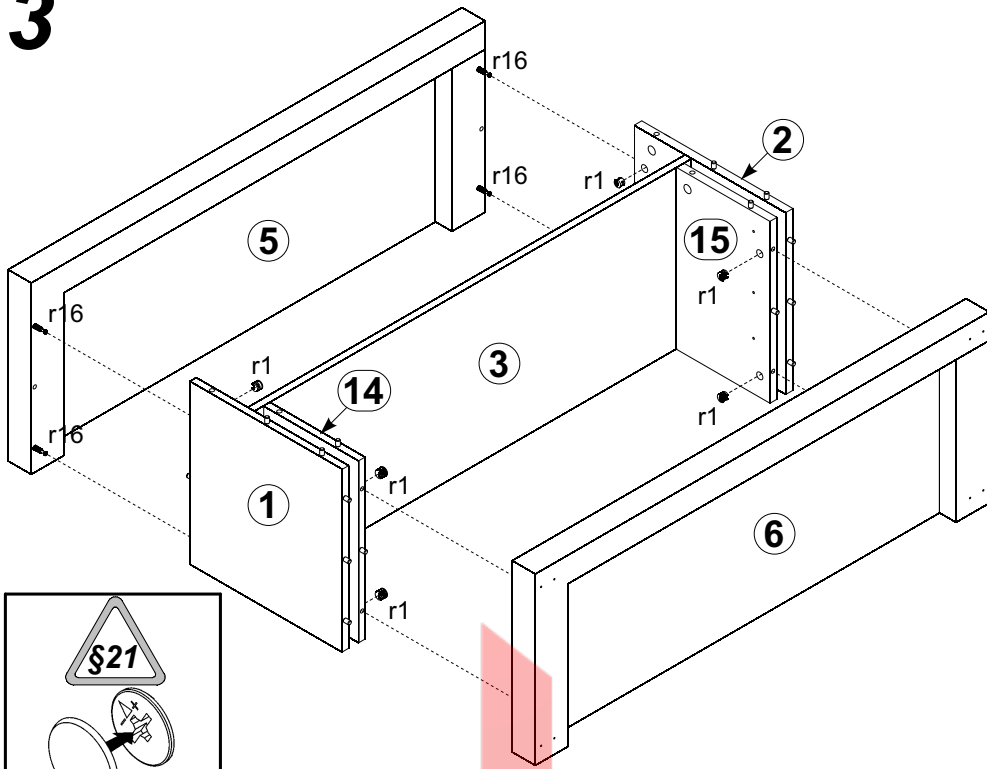
A	B	C	D	
1	AZ1-169	368	384	1/3
2	AZ1-171	368	384	1/3
3	AZ1-330	1067	380	1/3
4	AZ1-510	932	160	1/3
5	AZ1-226	1102	402	2/3
6	AZ1-246	1102	402	2/3
7	AZ1-499	368	56	2/3
8	AZ1-1401	368	56	2/3
9	AZ1-507	350	160	2/3
10	AZ1-508	350	160	2/3
11	AZ1-914	947	349	2/3
12	AZ1-915	1095	435	2/3
13	AZ1-017	984	240	3/3
14	AZ1-170	230	384	1/3
15	AZ1-172	230	384	1/3



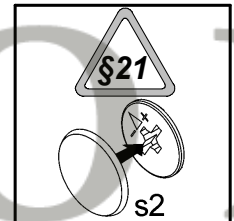
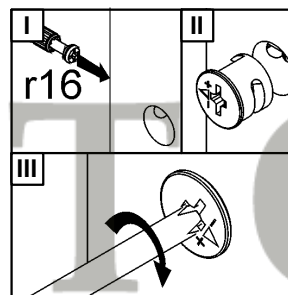
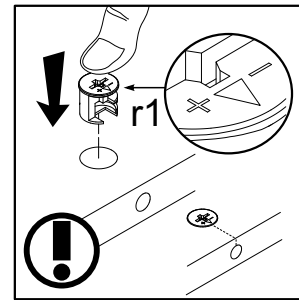
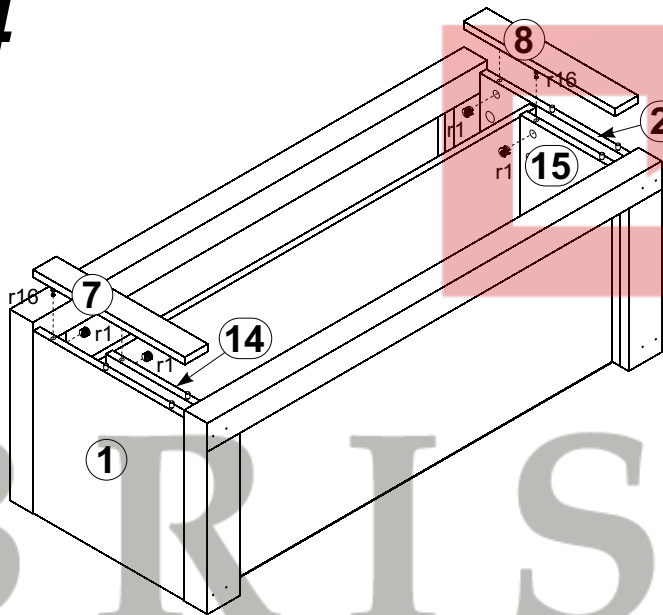
2x  c399	6x  Ø6x13 mm e3	4x  Ø5x50 mm e32	20x  Ø8x30 mm f1	4x  M4x22 mm j30	4x  60x60 mm k99	30x  l1	8x  Ø4x35 mm p6
2x  Ø3,5x16 mm p25	4x  Ø3x12 mm p54	24x  Ø15x12 mm #16 r1	24x  r16	12x  Ø16 mm s2	1x  333 mm t19	1x  350 mm w45DR	1x  350 mm w45CR
1x  350 mm w45DL	1x  350 mm w45CL						



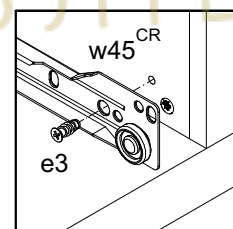
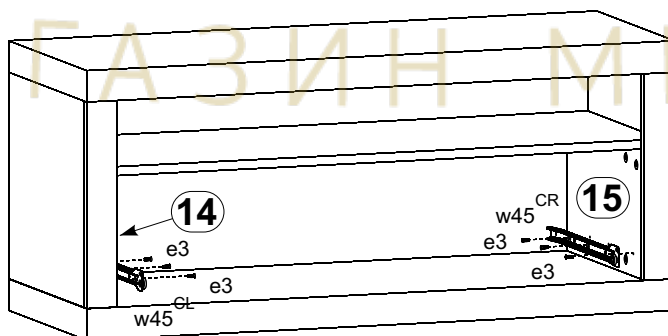
# 3



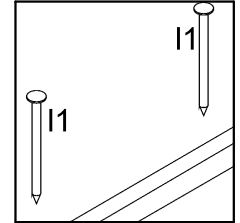
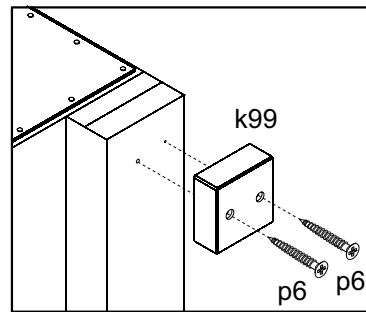
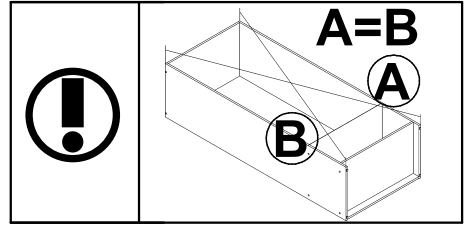
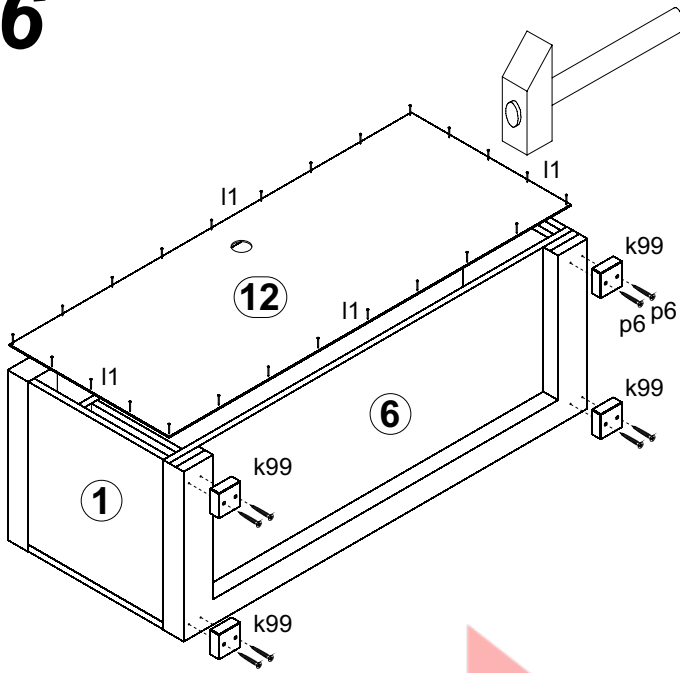
# 4



# 5



# 6



# 7

